



# TR 2000/ 3000 Mod.21 Shower trolley

*Hygiene Equipment  
Designed for People*

## Service manual & spare parts list

Version 2021-09-08



Registered at Medical Products Agency, Sweden as a MDR Class 1 product according to MDR 2017/745.

TR reserves the right to make design changes and/or improvements without notice.





## Table of contents

|   |    |
|---|----|
| Introduction  | 3  |
| Manufacturer  | 4  |
| Spare parts list TR 2000                                      | 5  |
| Spare parts list TR 3000, onboard batteries                   | 7  |
| Spare parts list TR 3000R, removable battery                  | 7  |
| Wiring diagram circuit board TR 3000, onboard batteries       | 13 |
| Wiring diagram circuit board TR 3000R, removable battery      | 14 |
| Service instructions  | 15 |
| - How to replace the hydraulic pump - TR 2000                 | 15 |
| - How to replace the pump pedal - TR 2000                     | 15 |
| - How to replace the battery powered lifting column - TR 3000 | 16 |
| - How to replace the castors                                  | 17 |
| - How to replace the gas struts                               | 18 |
| - How to replace the tilt wire                                | 19 |
| - How to replace the foot control or hand control             | 20 |
| - Battery enclosure TR 3000, onboard batteries                | 21 |
| - Battery enclosure TR 3000R, removable battery               | 22 |
| - Electrical trouble shooting, onboard batteries              | 23 |
| - Electrical trouble shooting, removable battery              | 24 |



*Hygiene Equipment  
Designed for People*

---

## Introduction

Dear customer,

If you need spare parts and can't find it in the spare parts list, contact TR Equipment.



*Hygiene Equipment  
Designed for People*

---

Manufacturer



TR Equipment AB  
Rundelgatan 2  
SE-573 35 Tranås  
Sweden

Phone: +46 (0)140 38 50 60

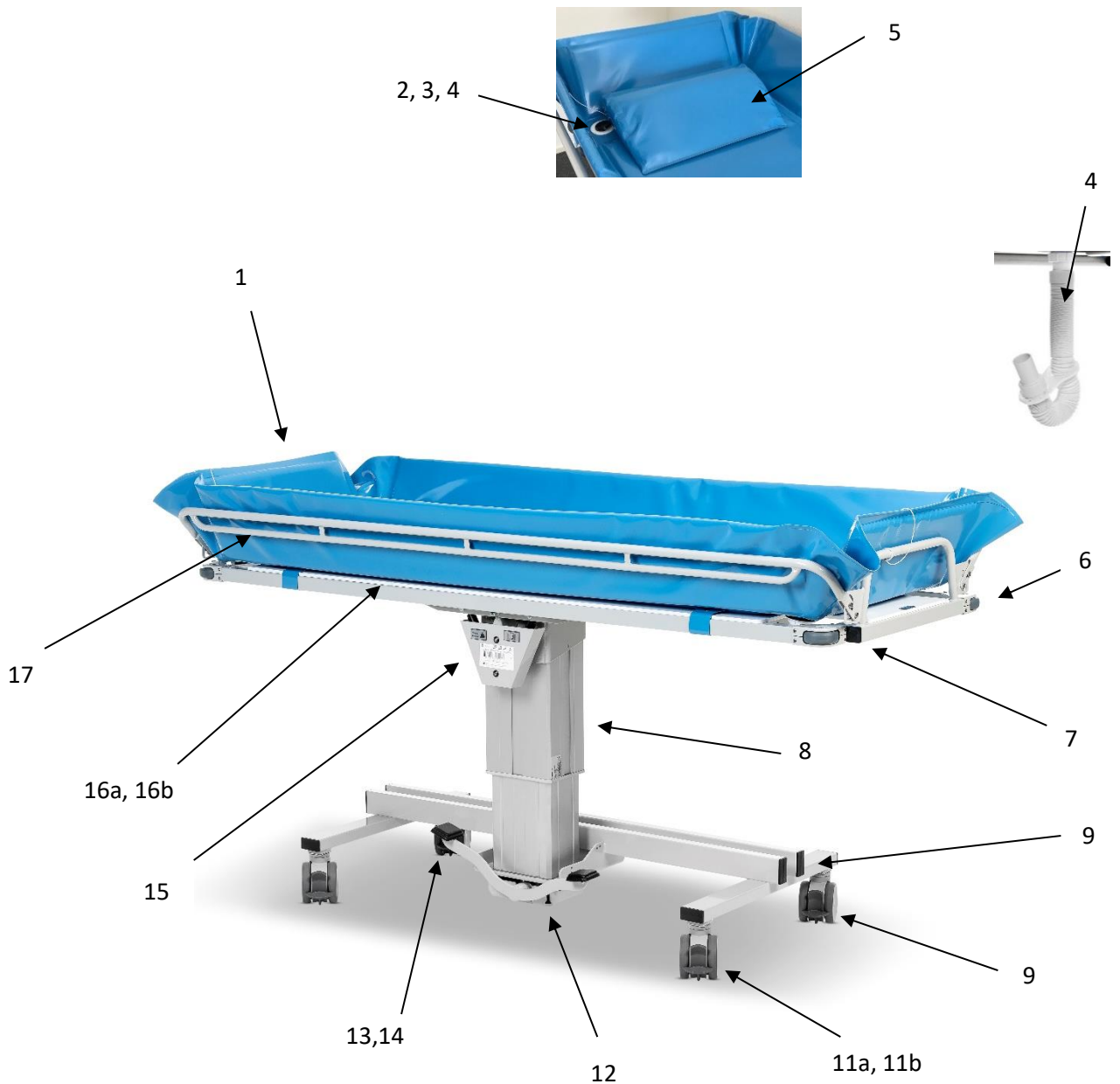
[www.trequipment.com](http://www.trequipment.com)

[info@trequipment.se](mailto:info@trequipment.se)



## Spare parts TR 2000, hydraulic shower trolley

TR 2000, -S, -L, -W Mod.21





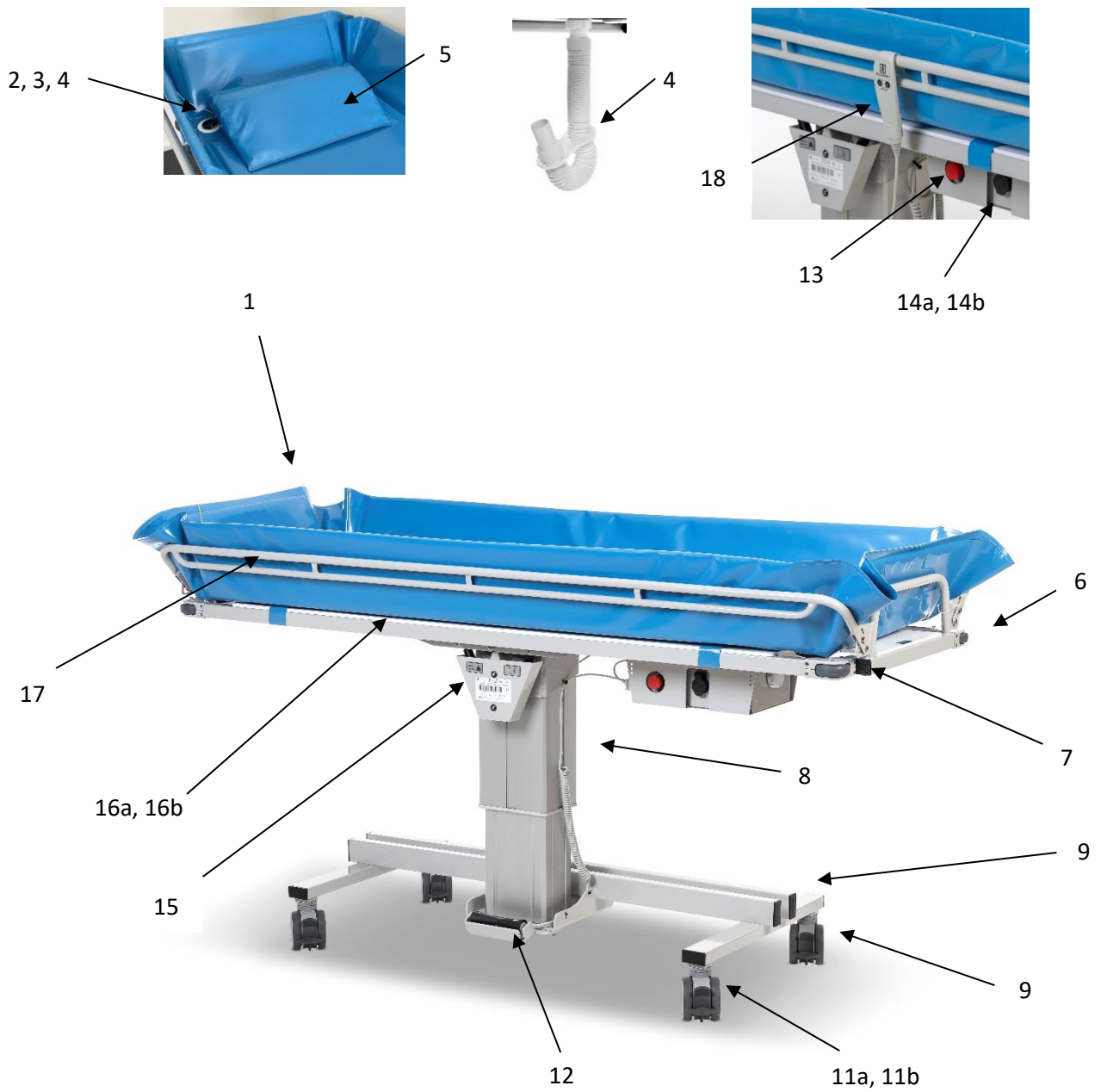
## Spare parts TR 2000, hydraulic shower trolley

| Position | Par number     | Spare part                                | Standard equipment/Option |
|----------|----------------|---|---------------------------|
| 1        | 7334645-02     | Mattress, Blue, 1900mm                    | Standard equipment        |
| 1        | 7334645-05     | Mattress, Blue, -S, 1600mm                | Standard equipment        |
| 1        | 7334645-08     | Mattress Blue, -L, 2100mm                 | Standard equipment        |
| 1        | 7333480-04     | Mattress, Blue, -W, 1950mm                | Standard equipment        |
| 2        | 829392         | Drainage                                  | Standard equipment        |
| 3        | 829391         | Drainage plug                             | Standard equipment        |
| 5        | 820818-4224    | Drainage hose, 1M                         | Standard equipment        |
| 5        | 820818-4224-25 | Drainage hose, 2.5M                       | Option                    |
| 5        | 7419488-04     | Pillow, Blue                              | Standard equipment        |
| 5        | 7419488        | Pillow, Grey                              | Option                    |
| 5        | 7419488-07     | Pillow, Yellow                            | Option                    |
| 5        | 7418363-02     | Wedge pillow, Blue, 15°                   | Option                    |
| 5        | 7418363        | Wedge pillow, Grey, 15°                   | Option                    |
| 5        | 7418363-03     | Wedge pillow, Yellow, 15°                 | Option                    |
| 6        | 850133-75      | Bumper wheels                             | Standard equipment        |
| 7        | 851738         | End plug 35*35, stretcher                 | Standard equipment        |
| 8        | 200121         | Hydraulic lifting column                  | Standard equipment        |
|          | 819200         | Hydraulic pump (included in 200121)       | Standard equipment        |
|          | 850256         | Tension spring (included in 200121)       | Standard equipment        |
| 9        | 850283         | End plug 60*30, chassis                   | Standard equipment        |
| 10       | 851760         | Castor with brake (transfer side)         | Standard equipment        |
| 11a      | 851760         | Castor with brake (nursing side)          | Standard equipment        |
| 11b      | 851761         | Straight steering castor (nursing side)   | Option                    |
| 12       | 3334291        | Pedal arm, foot pedal                     | Standard equipment        |
| 13       | 3428405        | Pedal plate, foot pedal                   | Standard equipment        |
| 14       | 7429583        | Pedal plate cover, foot pedal             | Standard equipment        |
| 15       | 850268         | Gas spring (2pcs behind the cover)        | Standard equipment        |
| 16a      | 7334060        | Plastic plate 1, TR 2000, 1222*625mm      | Standard equipment        |
| 16b      | 7334060-02     | Plastic plate 2, TR 2000, 662*625mm       | Standard equipment        |
| 16a      | 7334060-07     | Plastic plate, TR 2000-S, 1600*640mm      | Standard equipment        |
| 16a      | 7334060-03     | Plastic plate 1, TR 2000-L,<br>1322*625mm | Standard equipment        |
| 16b      | 7334060-04     | Plastic plate 2, TR 2000-L, 762*625mm     | Standard equipment        |
| 16a      | 7334060-05     | Plastic plate 1, TR 2000-W,<br>1247*680mm | Standard equipment        |
| 16b      | 7334060-06     | Plastic plate 2, TR 2000-W, 687*680mm     | Standard equipment        |
| 17       | 3234161-1900   | Side rail TR 2000                         | Standard equipment        |
| 17       | 3234161-1600   | Side rail TR 2000-S                       | Standard equipment        |
| 17       | 3234161-2100   | Side rail TR 2000-L                       | Standard equipment        |
| 17       | 3234161-1950   | Side rail TR 2000-W                       | Standard equipment        |



Spare parts TR 3000, battery powered shower trolley

TR 3000, -S, -L Mod.21

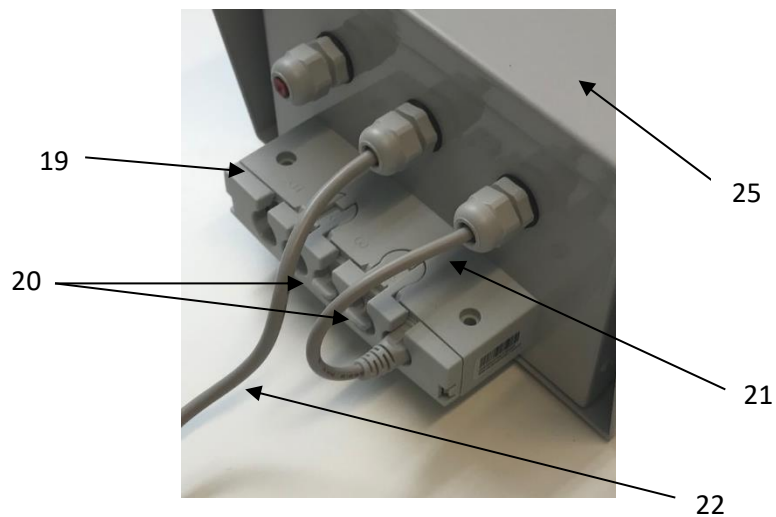
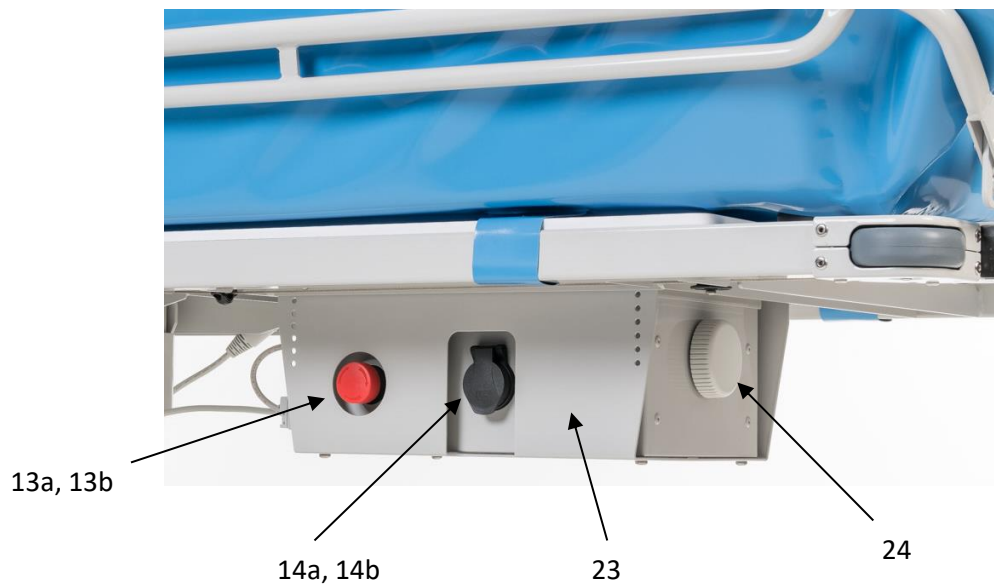




## Spare parts TR 3000, battery powered shower trolley

TR 3000, -S, -L Mod.21,

Battery enclosure TR3000, part number: 200119



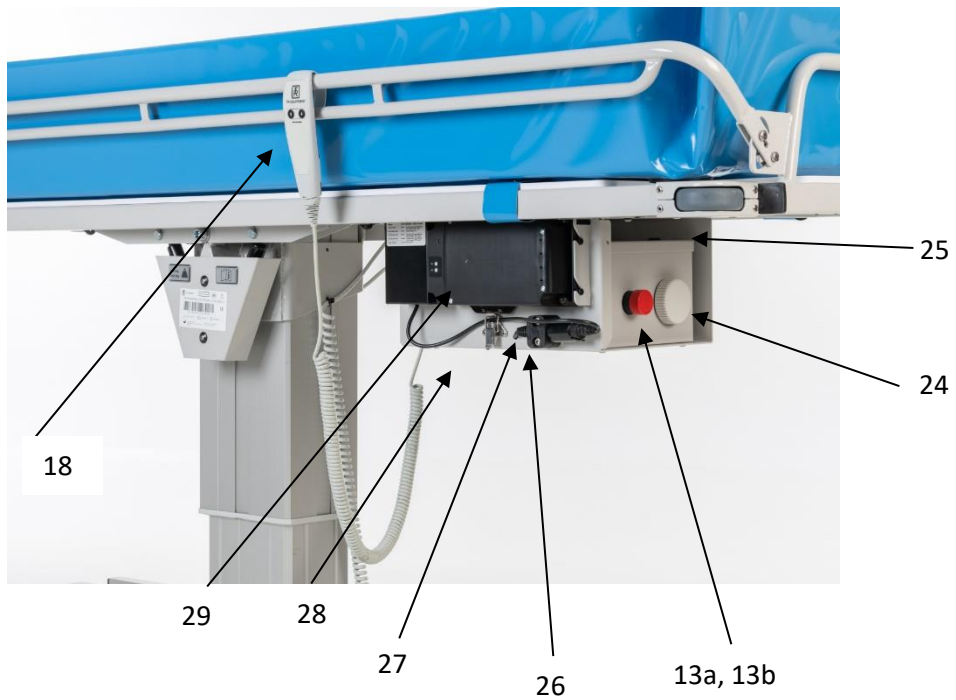




## Spare parts

TR 3000R, -S, -L Mod.21,

Enclosure TR3000R, removable battery





## Spare parts TR 3000, battery powered shower trolley

| Position | Part number    | Spare part                                  | Standard equipment/Option |
|----------|----------------|---|---------------------------|
| 1        | 7334645-02     | Mattress, Blue, 1900mm                      | Standard equipment        |
| 1        | 7334645-05     | Mattress, Blue, -S, 1600mm                  | Standard equipment        |
| 1        | 7334645-08     | Mattress Blue, -L, 2100mm                   | Standard equipment        |
| 2        | 829392         | Drainage                                    | Standard equipment        |
| 3        | 829391         | Drainage plug                               | Standard equipment        |
| 5        | 820818-4224    | Drainage hose, 1M                           | Standard equipment        |
| 5        | 820818-4224-25 | Drainage hose, 2.5M                         | Option                    |
| 5        | 7419488-04     | Pillow, Blue                                | Standard equipment        |
| 5        | 7419488        | Pillow, Grey                                | Option                    |
| 5        | 7419488-07     | Pillow, Yellow                              | Option                    |
| 5        | 7418363-02     | Wedge pillow, Blue, 15°                     | Option                    |
| 5        | 7418363        | Wedge pillow, Grey, 15°                     | Option                    |
| 5        | 7418363-03     | Wedge pillow, Yellow, 15°                   | Option                    |
| 6        | 850133-75      | Bumper wheels                               | Standard equipment        |
| 7        | 851738         | End plug 35*35, stretcher                   | Standard equipment        |
| 8        | 7440006        | Electric lifting column                     | Standard equipment        |
| 9        | 850283         | End plug 60*30, chassis                     | Standardutrustning        |
| 10       | 851760         | Castor with brake (transfer side)           | Standard equipment        |
| 11a      | 851760         | Castor with brake (nursing side)            | Standard equipment        |
| 11b      | 851761         | Straight steering castor (nursing side)     | Option                    |
| 12       | 7440008        | Foot pedal incl. spiral cable               | Standard equipment        |
| 13a      | 819310         | Emergency stop button                       | Standard equipment        |
| 13b      | 819312         | Contact block for 819310 (inside enclosure) | Standard equipment        |
| 14a      | 819150         | Mag Code, port                              | Standard equipment        |
| 14b      | 819148         | Mag Code, charging connector                | Standard equipment        |
| 15       | 850268         | Gas spring (2pcs behind cover)              | Standard equipment        |
| 16a      | 7334060        | Plastic plate 1, TR 3000, 1222*625mm        | Standard equipment        |
| 16b      | 7334060-02     | Plastic plate 2, TR 3000, 662*625mm         | Standard equipment        |
| 16a      | 7334060-07     | Plastic plate, TR 3000-S, 1600*640mm        | Standard equipment        |
| 16a      | 7334060-03     | Plastic plate 1, TR 3000-L, 1322*625mm      | Standard equipment        |
| 16b      | 7334060-04     | Plastic plate 2, TR 3000-L, 762*625mm       | Standard equipment        |
| 17       | 3234161-1900   | Side rail TR 2000/3000                      | Standard equipment        |
| 17       | 3234161-1600   | Side rail TR 2000-S / 3000 S                | Standard equipment        |
| 17       | 3234161-2100   | Side rail TR 2000-L / 3000 L                | Standard equipment        |
| 18       | 7440001        | Hand control                                | Option                    |



## Spare parts TR 3000, battery powered shower trolley

### Battery enclosure TR 3000, onboard batteries

| Position | Part number | Spare part                                  |
|----------|-------------|---|
| 13a      | 819310      | Emergency stop button                       |
| 13b      | 819312      | Contact block for 819310 (inside enclosure) |
|          | 829144      | EPDM gasket, emergency stop                 |
| 14a      | 819150      | Mag Code, port                              |
| 14b      | 819148      | Mag Code, charging connector                |
|          | 829143      | EPDM gasket, Mag Code port                  |
| 17       | 851650      | Cable gland PG9                             |
|          | 851650-03   | EPDM gasket, cable gland PG9                |
|          | 851650-02   | IP plugg for cable gland PG9                |
|          | 810146-5415 | Nut for cable gland PG9                     |
| 19       | 7440002     | MJB Junction box                            |
| 20       | 7440004     | IP Plug, MJB junction box                   |
| 21       | 7440003     | Circuit board cable, MJB junction box       |
| 22       | 7440007     | Cable, Lifting column                       |
| 23       | 3334619     | Mounting plate, battery enclosure           |
| 24       | 819171      | Vent plug                                   |
| 25       | 3434698     | Lid, battery enclosure                      |
|          |             | <b>Inside enclosure</b>                     |
|          | 819030      | Lead battery 12V 7Ah (2st)                  |
|          | 819354-02   | Circuit board                               |
|          | 850722      | Circuit board holder                        |
|          | 7429679     | Cabling                                     |
|          | 3330022     | Battery holder                              |
|          |             | <b>Battery charger</b>                      |
|          | 0541226     | Battery charger Mag Code                    |
|          | 819140      | EU Plug for battery charger                 |
|          | 819141      | US Plug for battery charger                 |
|          | 819142      | UK Plug for battery charger                 |
|          | 819143      | AUS Plug for battery charger                |



## Spare parts TR 3000, battery powered shower trolley

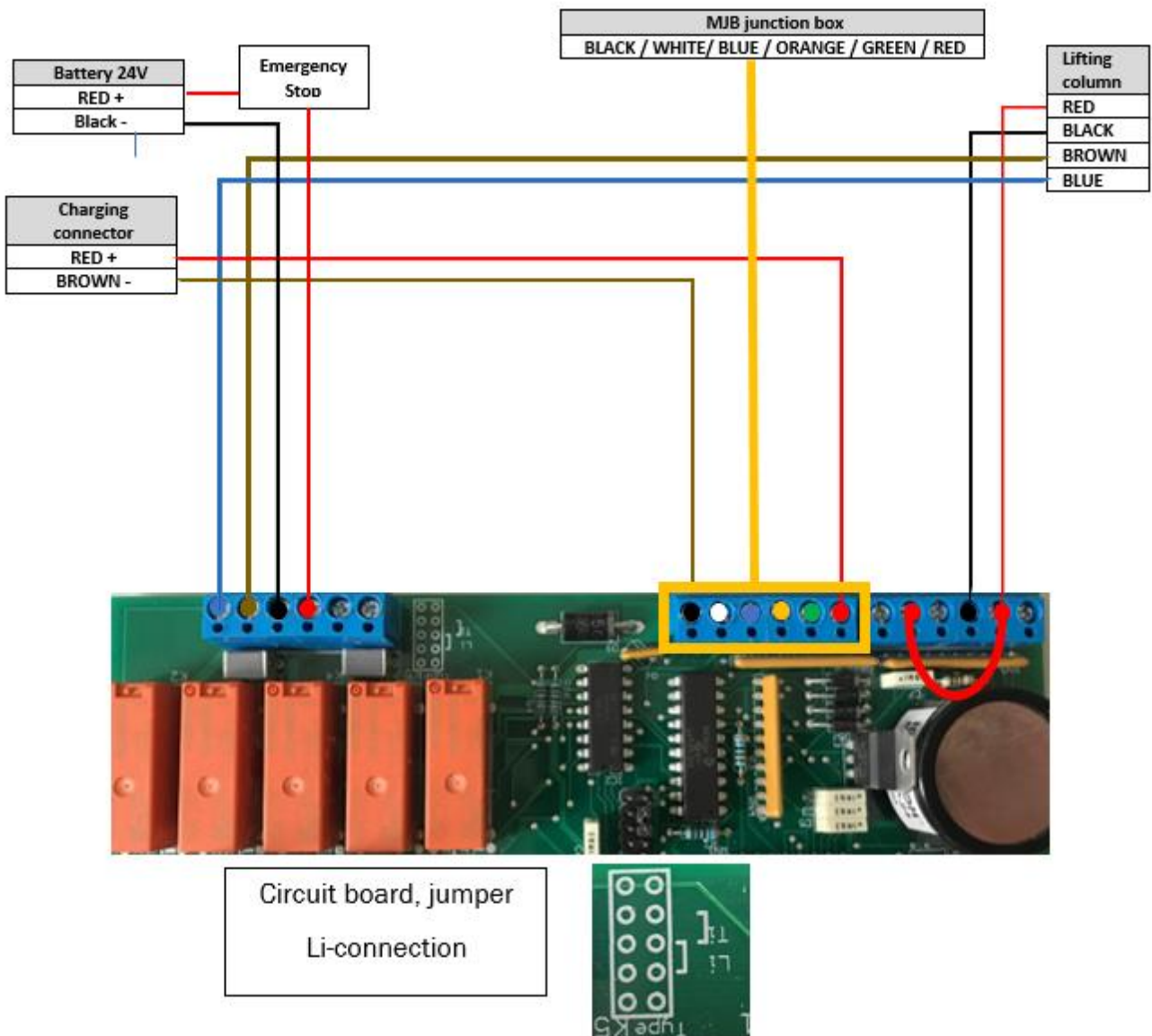
### Enclosure TR 3000R, removable battery

| Position | Artikelnummer | Reservdel                                      |
|----------|---------------|--|
| 13a      | 819310        | Emergency stop button                          |
| 13b      | 819312        | Contact block for 819310 (inside enclosure)    |
|          | 829144        | EPDM gasket, emergency stop                    |
| 17       | 851650        | Cable gland PG9                                |
|          | 851650-03     | EPDM gasket for cable gland PG9                |
|          | 851650-02     | IP plugg for cable gland PG9                   |
|          | 810146-5415   | Nut for cable gland PG9                        |
| 19       | 7440002       | MJB Junction box                               |
| 20       | 7440004       | IP plug for MJB junction box                   |
| 21       | 7440003       | Circuit board cable, MJB junction box          |
| 22       | 7440007       | Cable, Lifting column                          |
| 24       | 819171        | Vent plug                                      |
| 25       | 3434698       | Lid, enclosure                                 |
| 26       | 850244        | Holder for charging connector (2pcs required)  |
| 27       |               | Male charging connector incl. cable            |
| 28       | 3334626       | Mounting plate, enclosure & battery holder     |
| 29       |               | <b>Lithium battery</b>                         |
|          | 200110        | Lithium battery incl. mounting plate and cable |
|          | 853101        | Adapter cable (included in 200110)             |
|          |               | <b>Inside enclosure</b>                        |
|          | 819354-02     | Circuit board                                  |
|          | 850722        | Circuit board holder                           |
|          |               | <b>Battery charger</b>                         |
|          | 0521197       | Battery charger EU                             |
|          | 0521198       | Battery charger US                             |
|          | 0521199       | Battery charger UK                             |
|          | 0521196       | Battery charger AUS                            |



## Wiring diagram, circuit board

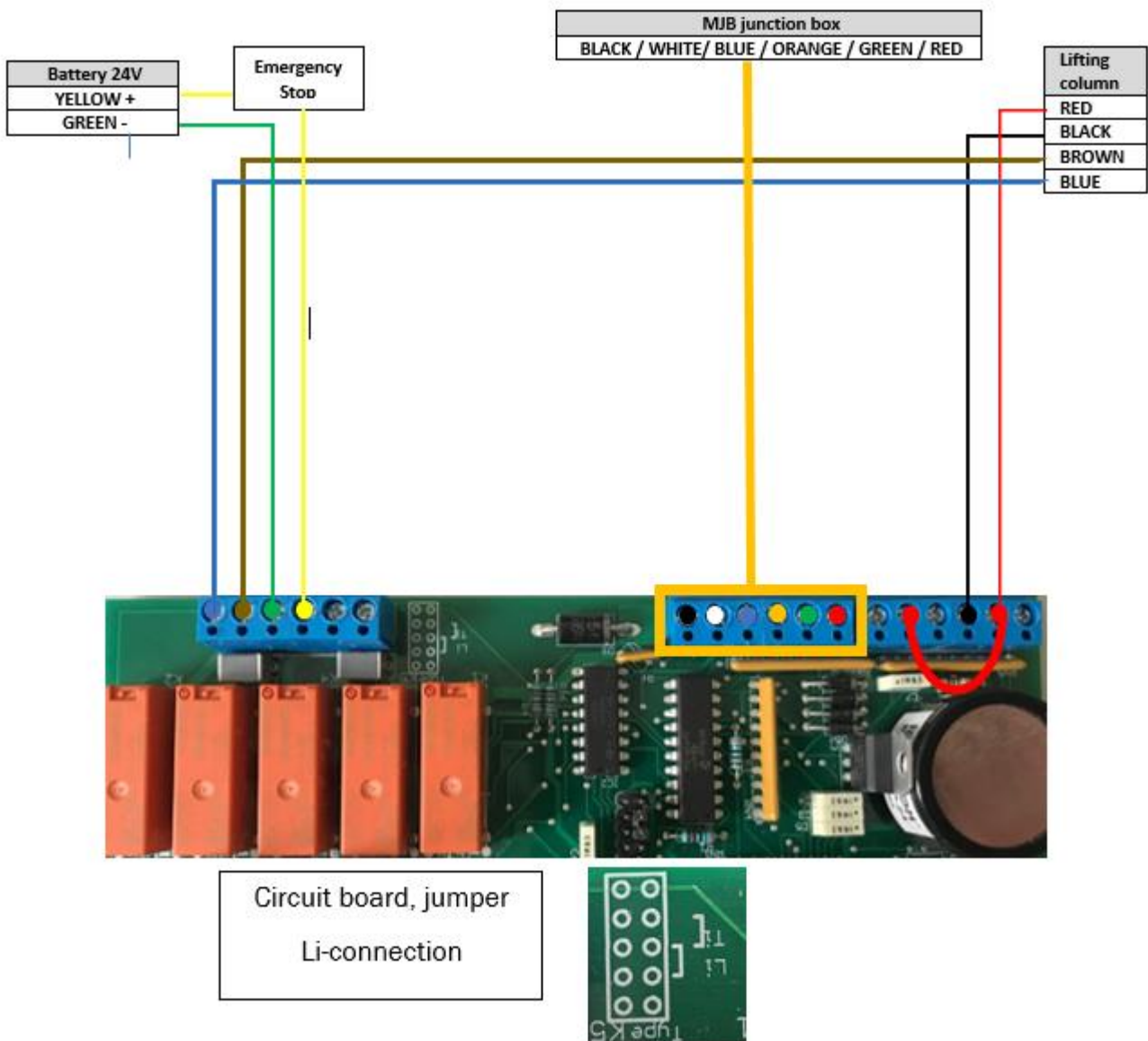
TR 3000, onboard battery





## Wiring diagram, circuit board

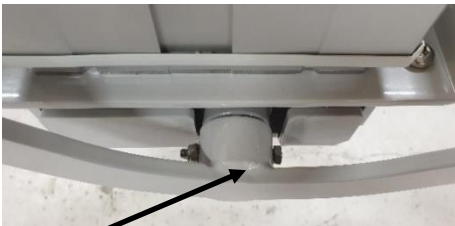
TR 3000R (removable Lithium battery)





## Service instructions

### TR 2000 - How to replace the hydraulic pump and foot pedal.



Foot pedal screw



Piston rod screw



Pump bracket  
screws

Pump bracket

Pump bracket  
screws



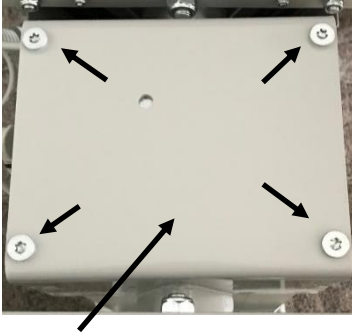
Pull out the pump / Assemble pump

- Remove mattress, pillow, and plastic plate from the shower trolley.
- Loosen and remove the Foot pedal screw.
- Loosen and remove the Piston rod screw.
- Loosen and remove the pump bracket.
- Pull out the pump and bracket from the lifting column.
- Loosen and remove the hydraulic pump from the Pump bracket.
- Assemble the new pump on the bracket and push the pump into the lifting column.
- Fasten the piston rod with the piston rod screw. Tighten the screw 50%.
- Fasten the pump bracket.
- Tighten the Piston rod screw 100%.
- Re-assemble plastic plate and mattress.



## Service instructions

### TR 3000 – How to replace the battery powered lifting column



Lifting column hat.

Loosen and remove the screws.



Lifting column connector

- Remove mattress, pillow, and plastic plate.
- Disconnect the lifting column cable and the cable from the battery enclosure.
- Loosen and remove the foot pedal cable from the MJB Junction box.
- Unscrew the lifting column hat placed on the top of the lifting column.
- Lift the stretcher and lifting column hat off the lifting column.
- Unscrew the lifting column from underneath.
- Assemble the new lifting column in reversed order. Note the position of the lifting column cable.
- If necessary, fasten cables with cable ties.



MJB Junction box



Loosen and remove the four lifting column screws.





## Service instructions

### TR 2000 / TR 3000 - How to replace the castors



Bolt & washer



Washer between  
castor and chassis.

### Straight steering castor (factory mounted option).



Note the position of the pedal when the straight steering function is activated.

### Castor with brake

- Unscrew the bolt and washer and remove the castor.
- Put the bolt and washer through the new castor. Put Loctite 243 to the bolt threads.
- Make sure the washer between castor and chassis is in correct position.
- Tighten the bolt.
- Verify that the brake function on the castor is working properly.

### Straight steering castor (factory mounted option)

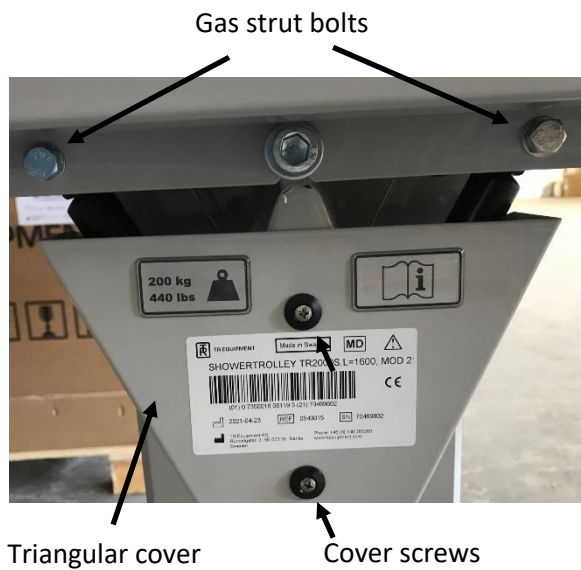
Same instructions as for the castor with brake, but the washer between straight steering castor and chassis has two straight steering pins.

- Press the Black straight steering pedal until a click is heard.
- Rotate the castor disc until a click is heard.
- Put the bolt and washer through the new straight steering castor. Put Loctite 243 to the bolt threads.
- Assemble the straight steering castor with the pedal pointing inwards.
- Tighten the bolt.
- Verify that the straight steering function on the castor is working properly.



## Service instructions

### TR 2000 / TR 3000 – How to replace the gas struts



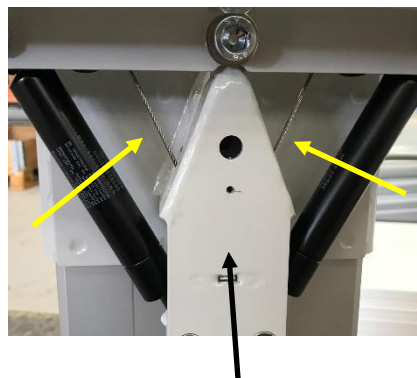
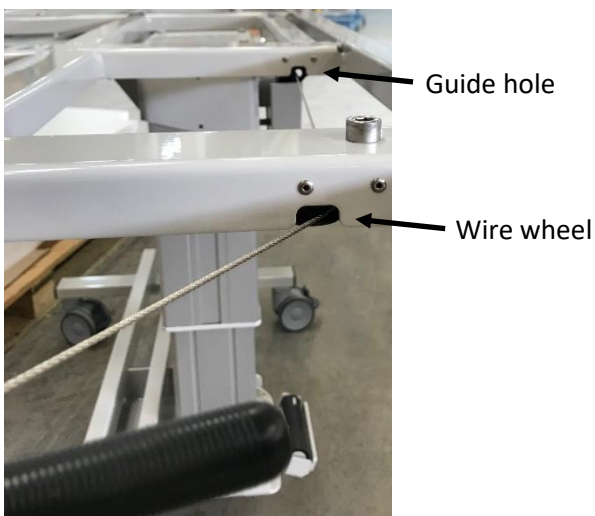
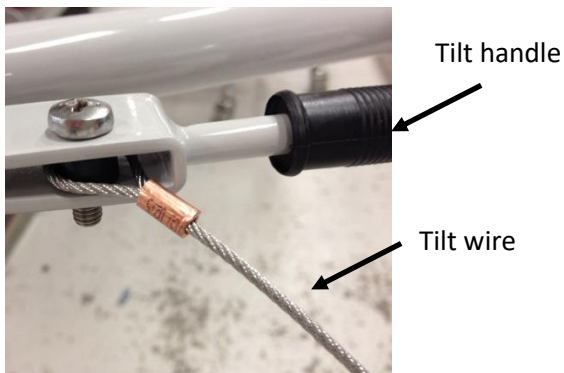
- Unscrew and remove the triangular cover.
- Loosen the tilt wire (DO NOT REMOVE) in one of the short ends of the stretcher.
- Loosen and remove the Gas strut bolts.
- Unscrew the Gas strut counter clockwise, from the bracket.
- Assemble the new Gas strut into the bracket, tighten the black screw.
- Make sure you don't damage/bend the gas strut pin during the assembly.





## Service instructions

### TR 2000 / TR 3000 – How to replace the tilt wire



- Remove mattress, pillow, and plastic plate from the shower trolley.
- Unscrew the tilt wire from both tilt handles and remove the tilt wire from the stretcher and gas strut bracket.
- Unscrew the triangular cover.
- Assemble the new tilt wire to one tilt handle. Tighten the nut 50%.
- Place the tilt wire towards the wire wheel, through the guide hole, through the column hat, through the guide hole and wire wheel on the opposite side and fasten the tilt wire to the second tilt handle.
- Fasten the tilt wire on the second tilt wire.
- Tension the tilt wire and fasten screw and nut 100%.
- Verify that the tilt function works properly. If necessary, adjust the tensioning.



## Service instructions

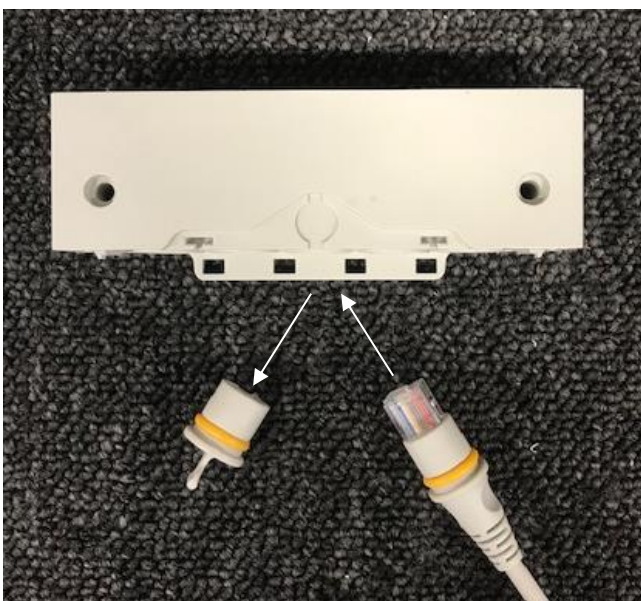
### How to replace foot control or hand control



5, 4, 3, 2

Use a small screwdriver for following steps.

1. Press the lever to release the MJB bracket.
- 2-5. Push up the levers, one at a time.



Remove the plug and replace it with the cable for the hand control.

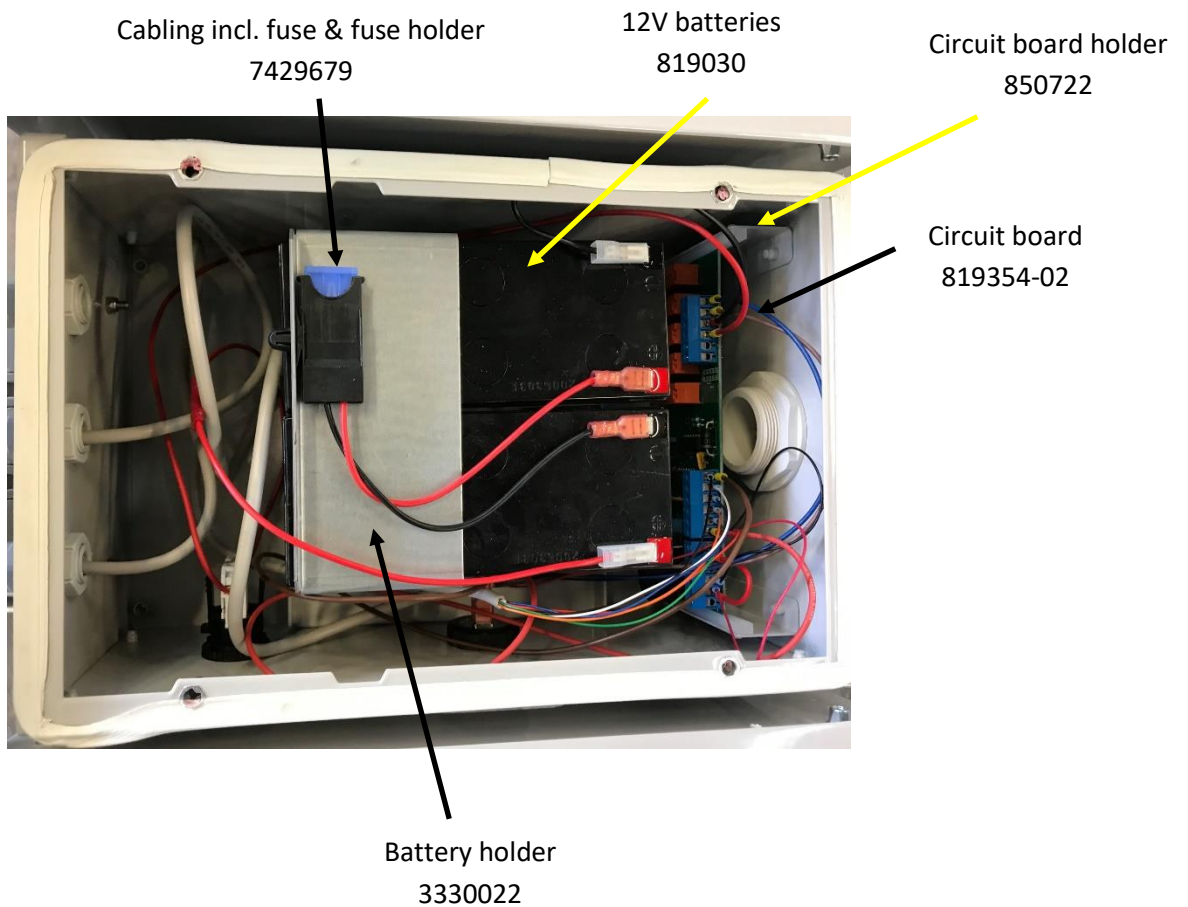
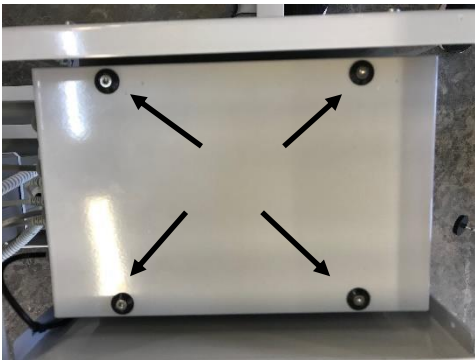
Attach the cover again.



## Service instructions

### Battery enclosure Onboard battery

- Remove mattress, pillow, and plastic plate from the shower trolley.
- Unscrew the lid.

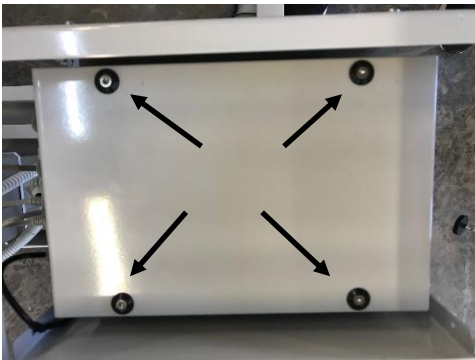




## Service instructions

### Battery enclosure Removable battery

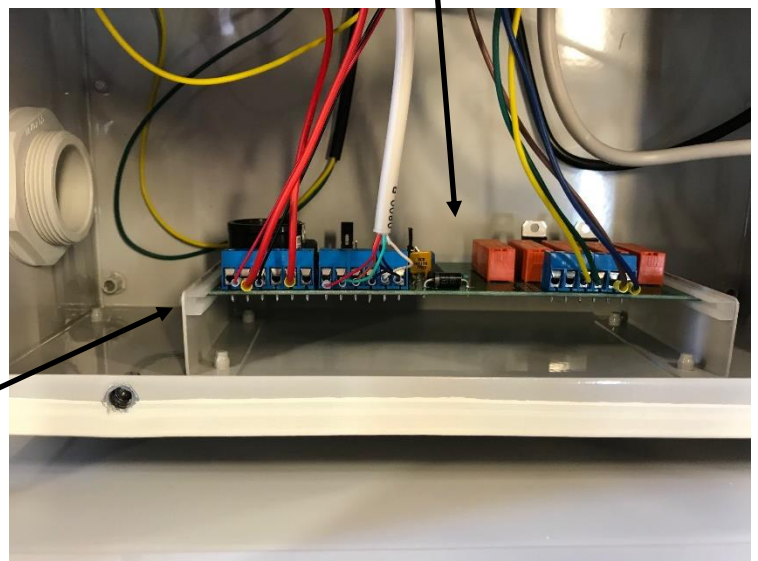
- Remove mattress, pillow, and plastic plate from the shower trolley.
- Unscrew the lid.



Emergency stop 819310  
Contact block 819312  
EPDM gasket 829144

Vent plug  
819171

Circuit board holder  
850722



Circuit board  
819350-02



## Service instructions

### Electrical trouble shooting, TR 3000 On board batteries

| Problem  | Check list   |
|--|--|
| The lifting column doesn't work.   | <ul style="list-style-type: none"> <li>- Is the emergency stop activated?<br/>(Release if necessary)</li> <li>- Is the contact block for the emergency properly fastened?</li> <li>- Check the voltage on both batteries.</li> <li>- Check the connections on the circuit board.</li> <li>- Check the wiring diagram.</li> <li>- Is the Circuit board jumper in Li-position?</li> <li>- Is the foot control or hand control, OK?</li> <li>- Replace lifting column.</li> </ul> |
| The lifting column only work small steps at a time.  | <ul style="list-style-type: none"> <li>- Check that the circuit board jumper is in Li-position.</li> <li>- Check the wiring diagram.</li> <li>- Replace circuit board.</li> <li>- Replace the lifting column.</li> </ul>   |
| There's a beep coming from the shower trolley.   | <ul style="list-style-type: none"> <li>- If the beep is a long and short beep the batteries must be charged.</li> <li>- If the beep is one long and two short the lifting column needs to be calibrated.<br/>(See table of contents in the Operating manual)</li> </ul>  |
| It's not possible to charge the batteries.<br><br>(The LED light on the battery charger turns Green immediately when I connect the battery charger.) | <ul style="list-style-type: none"> <li>- Check if the emergency stop is activated.<br/>(Release if necessary.)</li> <li>- Is the contact block for the emergency stop is properly fastened?</li> <li>- One or both batteries probably have too low voltage. Check the voltage and replace if necessary.</li> <li>- Replace circuit board.</li> </ul>   |



## Service instructions

### Electrical trouble shooting, TR 3000 Removable battery

| Problem   | Check list   |
|---|--|
| The lifting column doesn't work.                    | <ul style="list-style-type: none"><li>- Is the battery ON?<br/>(Press the ON button)</li><li>- Is the battery charged? (charge the battery for at least 8 hours).</li><li>- Is the emergency stop activated?<br/>(Release if necessary)</li><li>- Is the contact block for the emergency properly fastened?</li><li>- Check the connections on the circuit board.</li><li>- Check the wiring diagram.</li><li>- Is the Circuit board jumper in Li-position?</li><li>- Is the foot control or hand control, OK?</li><li>- Replace lifting column.</li></ul> |
| The lifting column only work small steps at a time. | <ul style="list-style-type: none"><li>- Check that the circuit board jumper is in Li-position.</li><li>- Check the wiring diagram.</li><li>- Replace circuit board.</li><li>- Replace the lifting column.</li></ul>  |
| There's a beep coming from the shower trolley.      | <ul style="list-style-type: none"><li>- If the beep comes from the battery and the battery has an orange light, the battery must be charged.</li><li>- If the beep is one long and two short the lifting column needs to be calibrated.<br/>(See table of contents in the Operating manual)</li></ul>  |
| It's not possible to charge the battery.            | <ul style="list-style-type: none"><li>- Replace the battery.</li></ul>   |