



TR4000/4200  
Shower Trolley

*Hygiene Equipment*

*Designed for People*

Service and maintenance Manual incl.  
Spare part list

Version 2024-04-30

Registered at Medical Products Agency, Sweden as a MDR Class 1 product according to MDR 2017/745.

TR reserves the right to make design changes and/or improvements without notice.



If you have questions regarding the service instructions or maintenance of your Shower Trolley and cannot find the answer in this manual, please contact us.

**Only qualified staff who are trained and certified and who can understand all operating and safety procedures may operate and service this equipment.**

The shower trolley is designed for years of trouble-free operation, with proper use and maintenance.

Mandatory to read the manual before using the equipment



TR4000/4200

Shower Trolley

*Hygiene Equipment*

*Designed for People*

---

## Table of contents

<b>Introduction</b>	<b>3</b>
<b>Manufacturer</b>	<b>4</b>
<b>Spare part lists</b>	<b>4</b>
- TR 4000/4200, onboard batteries	<b>5</b>
- TR 4000R/4200R, removable batteries	<b>10</b>
<b>Wiring diagrams</b>	<b>12</b>
- Wiring diagram circuit board TR 4000/4200, Onboard batteries	<b>12</b>
- Wiring diagram circuit board TR 4000R/4200R removable battery	<b>13</b>
<b>Service instructions main parts</b>	<b>14</b>
- How to replace the lifting column	<b>14</b>
- How to replace the castors with brake	<b>15</b>
- How to replace the castors with straight steering	<b>15</b>
<b>Service instructions electrical parts</b>	<b>16</b>
- How to replace the batteries	<b>16</b>
- How to replace the circuit board	<b>17</b>
- How to replace the fuse and the fuse cabling	<b>17</b>
- How to replace the hand control	<b>18</b>
- Calibration/Initialization, lifting columns	<b>19</b>
<b>Trouble shooting</b>	<b>20</b>
- Trouble shooting TR4000/4200, onboard batteries	<b>20</b>
- Trouble shooting TR4000/4200, removable batteries	<b>21</b>
<b>Service instructions Routine Maintenance</b>	<b>22</b>
- Service routine maintenance	<b>22</b>
- Check list annual maintenance	<b>23</b>
- Check list every 5 years	<b>25</b>
- Cleaning instructions	<b>26</b>
- Safety instructions	<b>27</b>
- Maintenance and service record	<b>28</b>



TR4000/4200

Shower Trolley

*Hygiene Equipment*

*Designed for People*

---

Dear customer,

If you need spare parts and can't find it in the spare parts list, contact TR Equipment.

Manufacturer



TR4000/4200

Shower Trolley

*Hygiene Equipment*

*Designed for People*



TR Equipment AB  
Rundelgatan 2  
SE-573 35 Tranås  
Sverige

Phone: +46 (0)140 38 50 60

[www.trequipment.com](http://www.trequipment.com)

[info@trequipment.se](mailto:info@trequipment.se)

Group subsidiaries:

**USA**

TR Group Inc.

Phone: +1 (800) 7526900

[www.trequipment.com](http://www.trequipment.com)

[information@trequipment.com](mailto:information@trequipment.com)

**Germany:**

TranspoRehamed GmbH

Phone: +49 (0) 212-645850-0

[www.transporehamed.de](http://www.transporehamed.de)

[info@transporehamed.de](mailto:info@transporehamed.de)

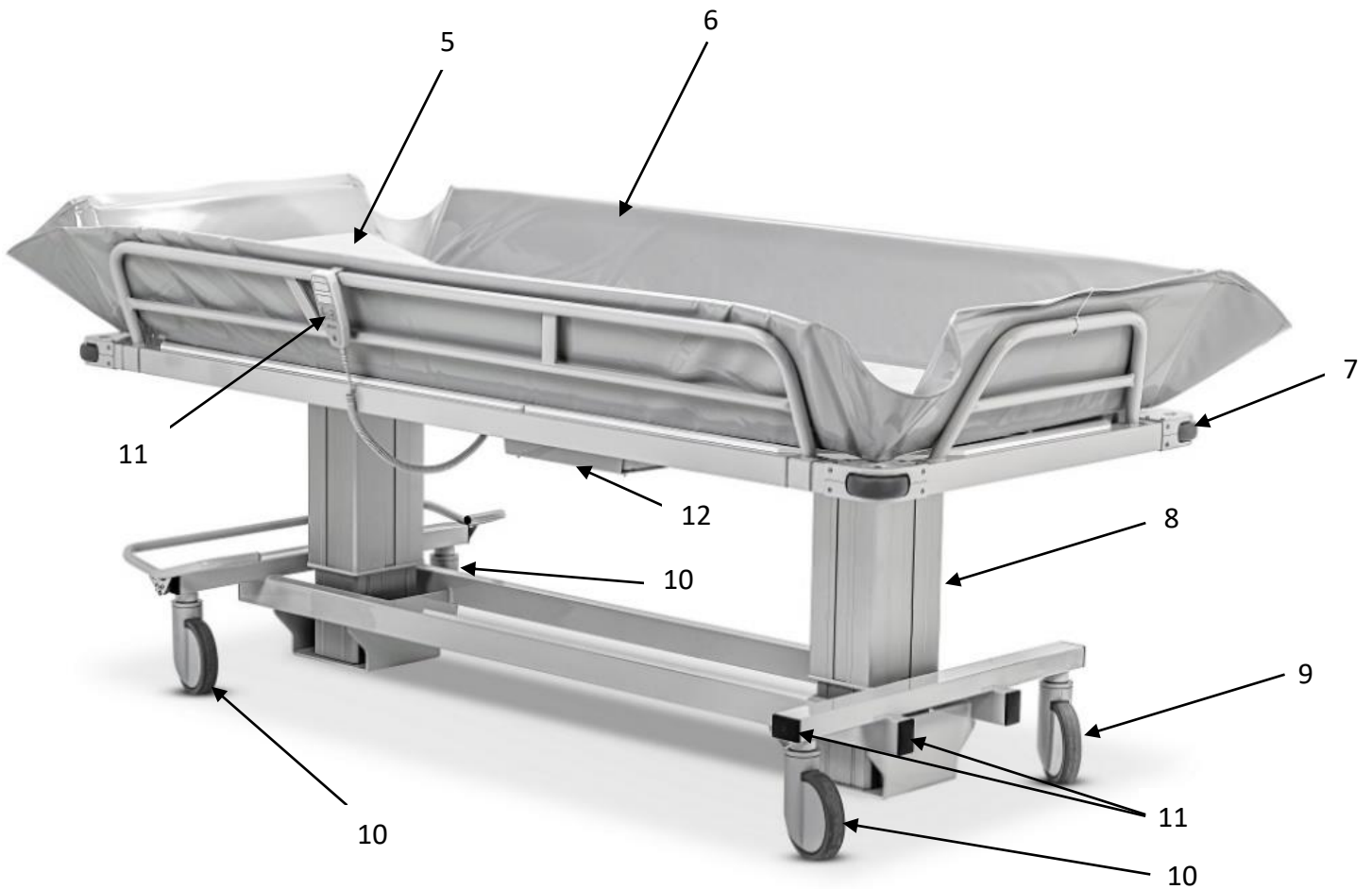
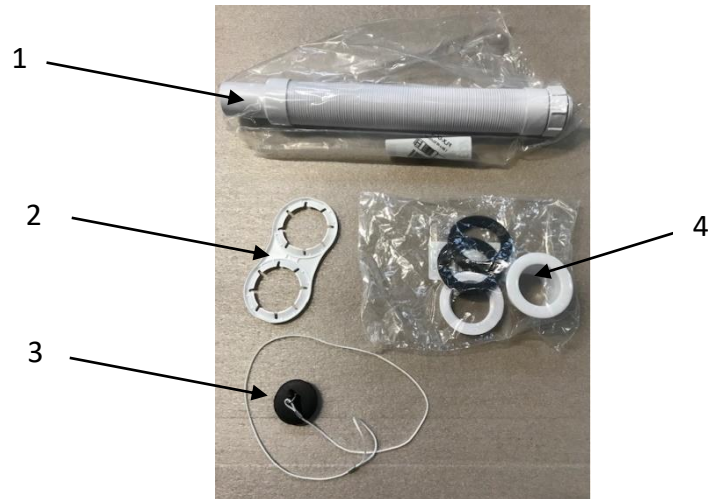


TR4000/4200  
Shower Trolley

*Hygiene Equipment*

*Designed for People*

Spare parts TR 4000/4200, electrical shower trolley





TR4000/4200

Shower Trolley

*Hygiene Equipment*

*Designed for People*

---

Spare parts TR 4000/4200, electrical shower trolley

Position	Par number	Spare part	Standard equipment/Option
1	820818-4224	FLEXIDRAIN HOSE 11/2' 40 L=1M	Standard equipment
2	851020	PLASTIC HOLDER FOR DRAINAGE HOSE	Standard equipment
3	829392	DRAINAGE G1 1/2 W.NUT, SHOW TROLL	Standard equipment
4	829391	DRAINPLUG 45,5 mm WITH STRING, SHOW TROLL.	Standard equipment
5	7419488	HEAD PILLOW GRAY, SHOWER TROLLEY	Standard equipment
5	7418363	BACKREST PILLOW GRAY, ATLAS, 15°	Standard equipment
6	7329913	MATTRESS ATLAS JUNIOR TR4200 GREY	Standard equipment
6	7329504	MATTRESS ATLAS TR4000 GRAY	Standard equipment
6	7329913-02	MATTRESS ATLAS JUNIOR TR4200 BLUE	Option
6	7329504-02	MATTRESS ATLAS TR4000 BLUE	Option
7	850133	RUBBER BUMPER WHEEL ATLAS - ATLAS JR.	Standard equipment
8	7440006	ACTUATOR DL2 FOR ATLAS/TR3000, MOD 2021	Standard equipment
9	850131	CASTOR ATLAS STEERING GREEN 4	Standard equipment
10	850132	CASTOR ATLAS BRAKE RED 6	Standard equipment
11	850575	PLUG SQUARE 40X60	Standard equipment
12	7440000	HAND CONTROL HB30 FOR TR3200, 2-LINES	Standard equipment
13	200126	ELECTRICAL ENCLOSURE TR4000/4200 METAL BOX MOD 21	Standard equipment

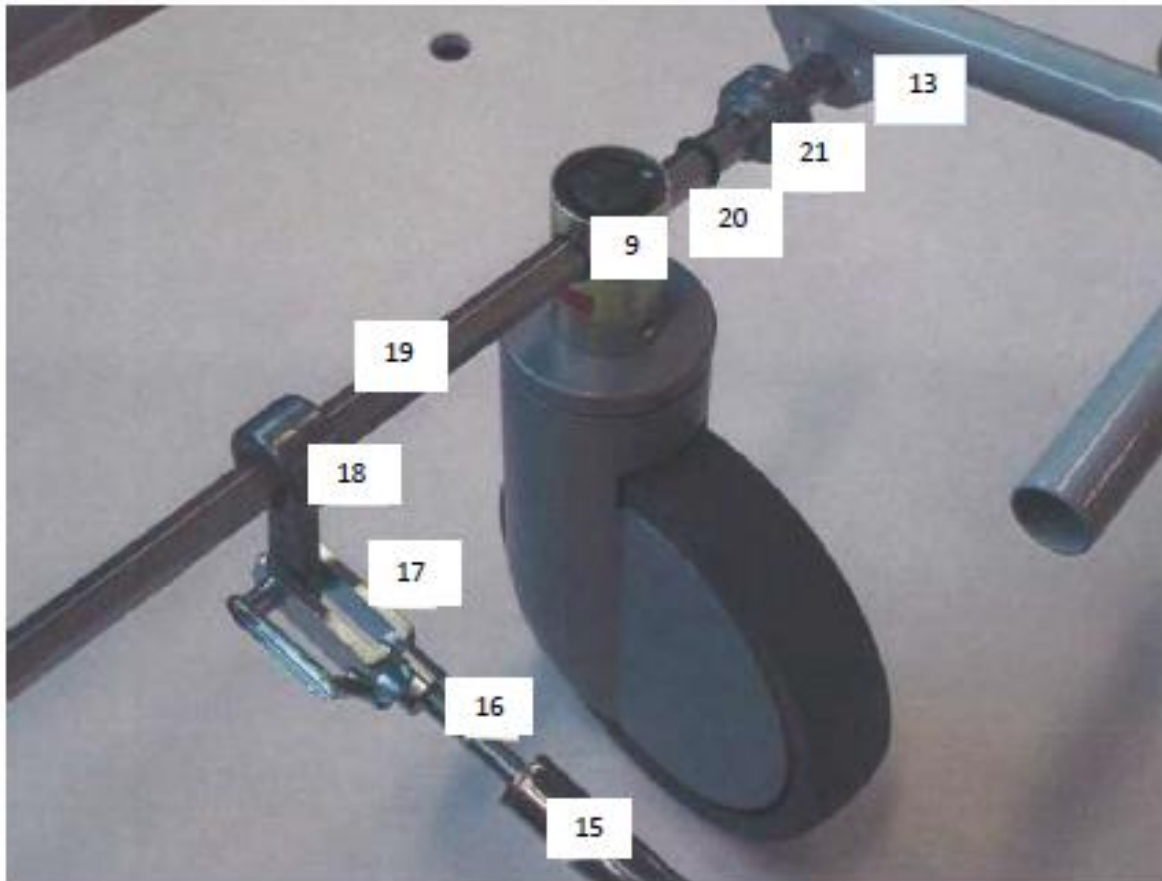


TR4000/4200  
Shower Trolley

*Hygiene Equipment*

*Designed for People*

Spare parts TR 4000/4200, electrical shower trolley



Position	Part.no	Spare part	Shower trolley
9	850132	Castor with brake	TR 4000 / TR 4200
13	3329982	Central brake/steering lever	TR 4000
13	3329982-02	Central brake/steering lever	TR 4200
15	3429977	Rod pipe	TR 4000
15	3429977-02	Rod pipe	TR 4200
16	831960-8050	Threaded rod	TR 4000 / TR 4200
17	850450	Fork incl. lock	TR 4000 / TR 4200
18	3429978	Link arm	TR 4000 / TR 4200
19	3429974	Hexagon rod, head end, L 862mm	TR 4000
19	3429974-02	Hexagon rod, foot end, L 772mm	TR 4000
19	3429974-03	Hexagon rod, head end, L 722mm	TR 4200
19	3429974-04	Hexagon rod, foot end, L 632mm	TR 4200
20	829106	O-ring	TR 4000 / TR 4200
21	3429979	Lever lock	TR 4000 / TR 4200

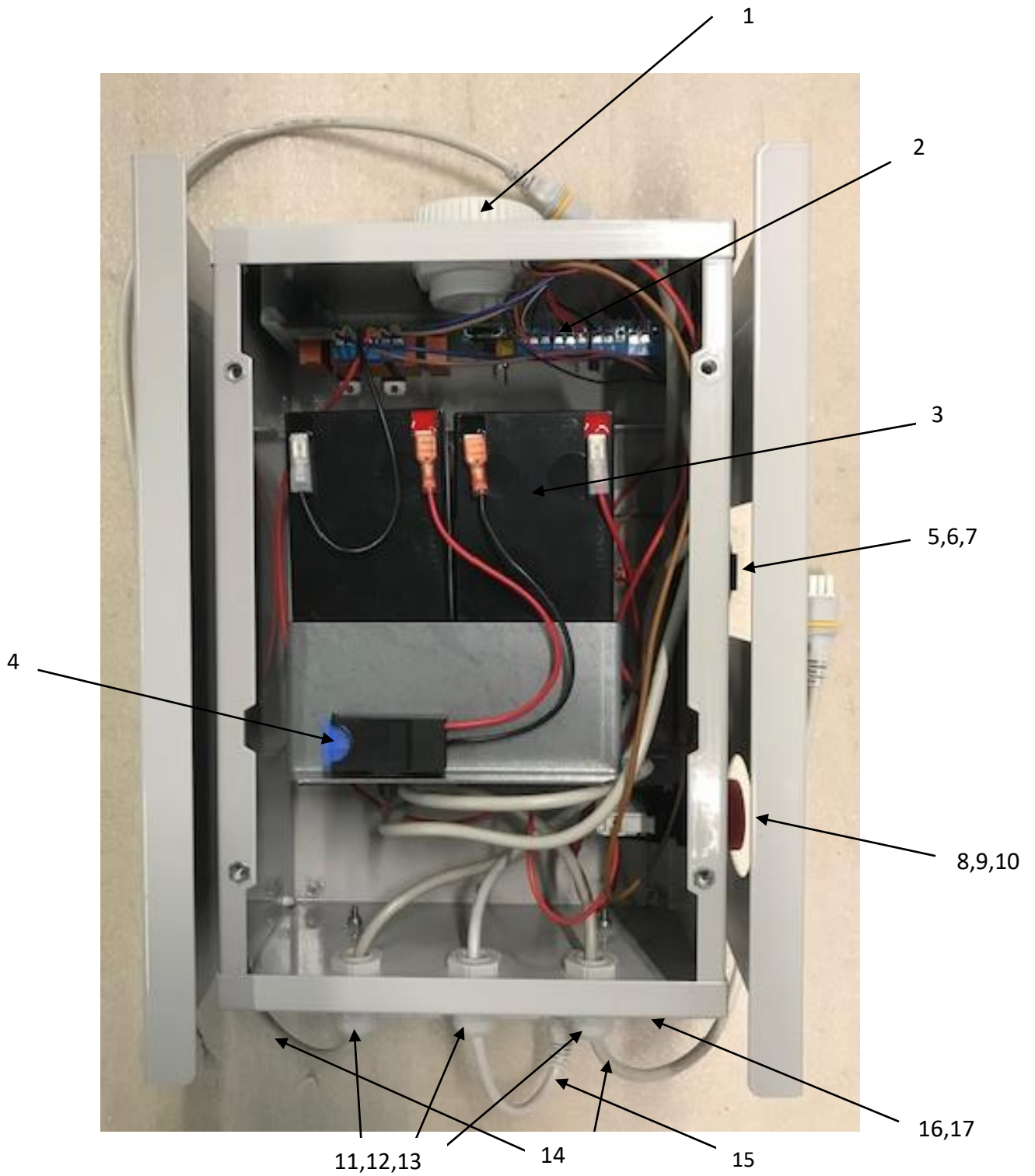


TR4000/4200  
Shower Trolley

*Hygiene Equipment*

*Designed for People*

Spare parts TR 4000/4200, electrical enclosure, P/N 200126







TR4000/4200

Shower Trolley

Hygiene Equipment

Designed for People

Spare parts TR 4000/4200, electrical enclosure, P/N 200126

Position	Par number	Spare part	Standard equipment/Option
1	819171	VENT PLUG DA 284	Standard equipment
2	819354-02	SPAREPART CIRCUITBOARD TR3000/3200/4000/4200 2021	Standard equipment
3	819030	BATTERY 12V, 7 AH	Standard equipment
4	200117	HOLDER FOR FUSE TR3200/4000	Standard equipment
5	819148	POWER PORT 24V MAGCODE	Standard equipment
6	819150	PORT COVER MAGCODE	Standard equipment
7	829143	GASKET FOR MAGCODE CONTACT	Standard equipment
8	819310	EMERGENCY BUTTON	Standard equipment
9	819312	CONTACT BLOCK FOR THE EMERGENCY BUTTON	Standard equipment
10	829144	GASKET FOR EMERGENCY BUTTON	Standard equipment
11	851650	CABLE GLAND HSK-P PG9 GREY	Standard equipment
12	851650-03	EPDM GASKET, CABLE GLAND PG9	Standard equipment
13	810146-5415	NUT FOR CABLE GLAND PG9	Standard equipment
14	7440007	CABLE, LIFTING COLUMN	Standard equipment
15	815004	CABLE, PCB	Standard equipment
16	7440002	SPLITTER BOX MJB FOR TR3200/TR3000 Mod. -21	Standard equipment
17	7440004	PLUG FOR SPLITTER BOX MJB, TR3200/ TR3000 Mod. -21	Standard equipment



Position	Par number	Spare part	Standard equipment/Option
1	0541226	BATTERYCHARGER MAGCODE 110/230V	Standard equipment
2	819140	EURO PLUG TYPE C	Standard equipment
3	819141	US PLUG TYPE A	Standard equipment
4	819142	UK PLUG TYPE G	Standard equipment

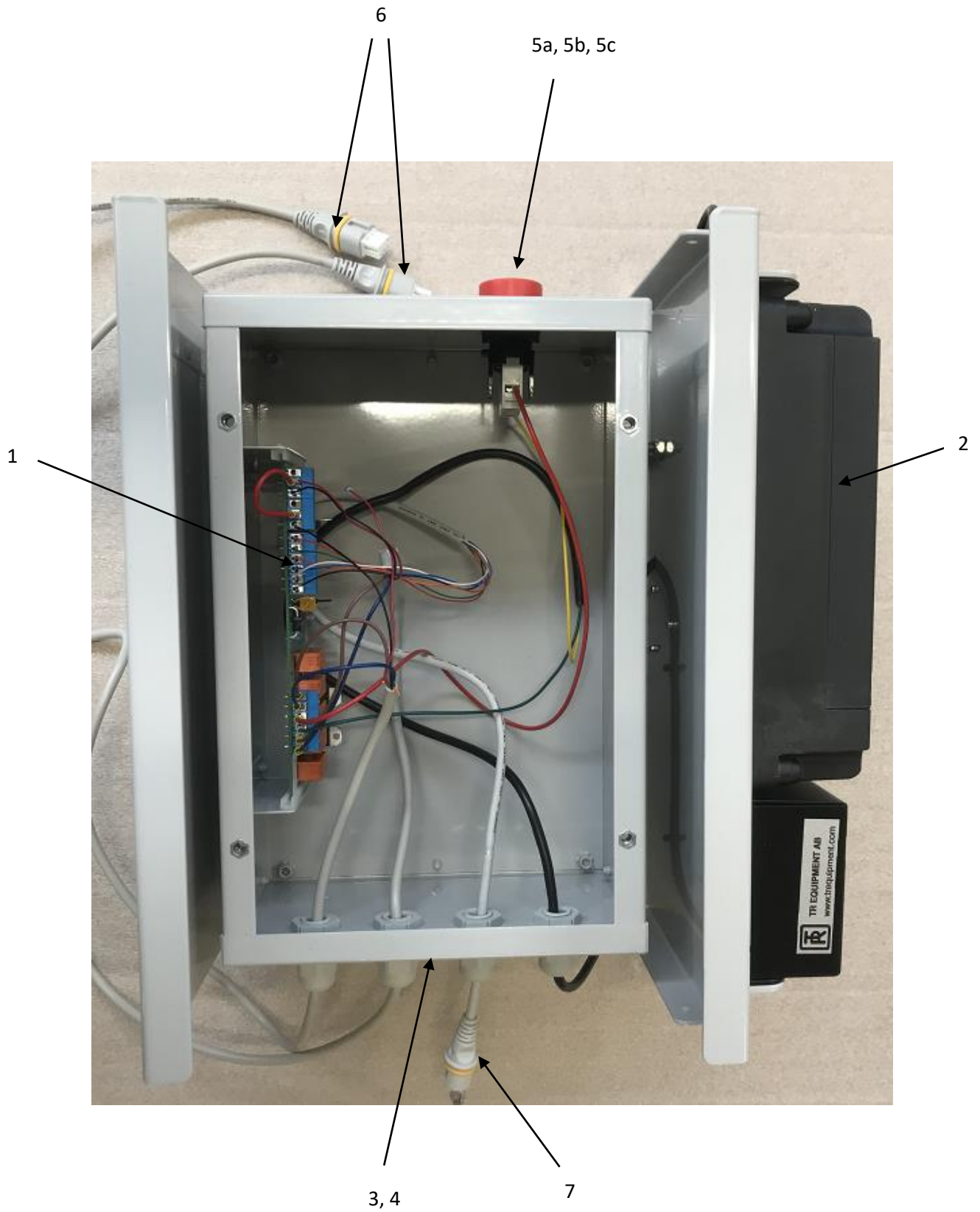


TR4000/4200  
Shower Trolley

Hygiene Equipment

Designed for People

Spare parts TR 4000-R/4200-R, electrical enclosure, P/N 200129





TR4000/4200  
Shower Trolley

Hygiene Equipment

Designed for People

Spare parts TR 4000-R/4200-R, electrical enclosure, P/N 200129

Position	Par number	Spare part	Standard equipment/Option
1	819354-02	SPAREPART CIRCUITBOARD TR3000/3200/4000/4200 2021	Standard equipment
2	200110	CONTROLL BOX TBB5 COMPLETE TR1000/3200	Standard equipment
3	7440002	SPLITTER BOX MJB FOR TR3200/TR3000 Mod. -21	Standard equipment
4	7440004	PLUG FOR SPLITTER BOX MJB, TR3200/ TR3000 Mod. -21	Standard equipment
5a	819310	EMERGENCY BUTTON	Standard equipment
5b	819312	CONTACT BLOCK FOR THE EMERGENCY BUTTON	Standard equipment
5c	829144	GASKET FOR EMERGENCY BUTTON	Standard equipment
6	7440007	CABLE FOR ACTUATOR DL2, MOD2021	Standard equipment
7	815004	CABLE FOR PCB ELECTRICAL BOX	Standard equipment



Position	Par number	Spare part	Standard equipment/Option
1	0521197	BATT CHARG. TP7. EU, 100-240V, 1,5A, 50-60Hz	Standard equipment
2	0521198	BATT CHARG. TP7. US, 100-240V, 1,5A, 50-60Hz	Standard equipment
3	0521199	BATT CHARG. TP7. UK, 100-240V, 1,5A, 50-60Hz	Standard equipment



TR4000/4200  
Shower Trolley

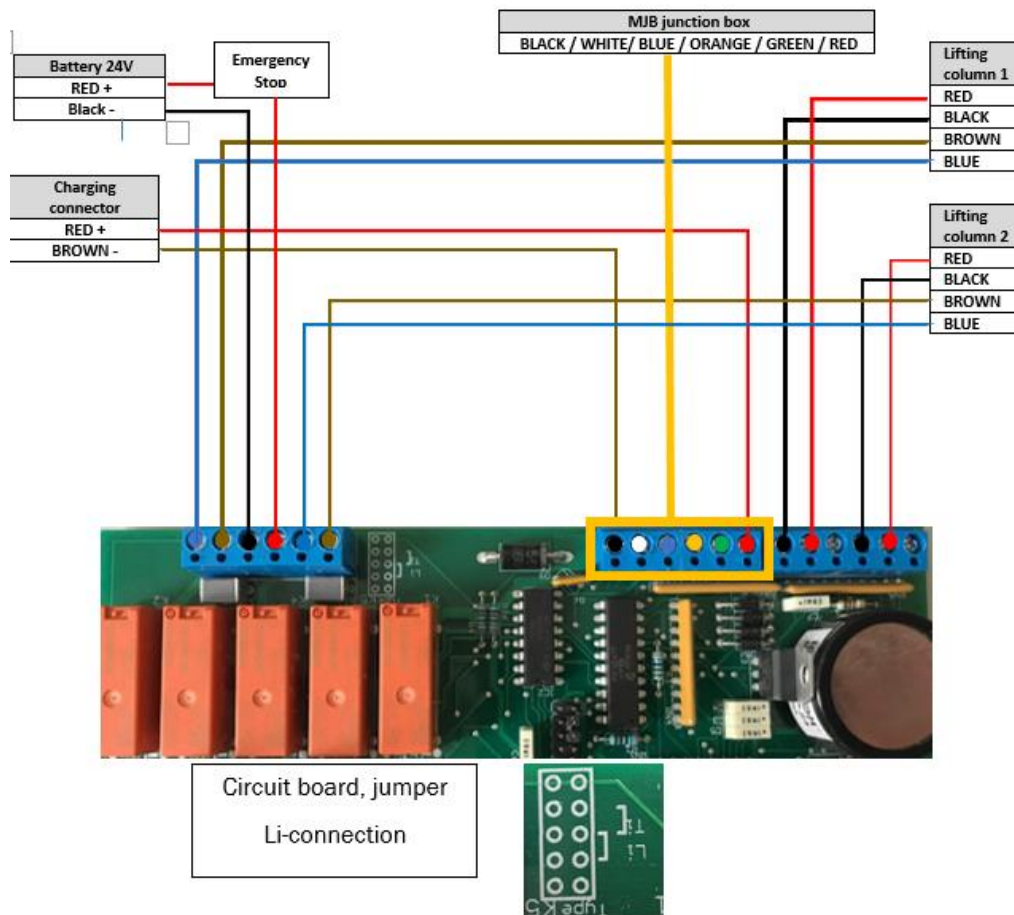
Hygiene Equipment

Designed for People

Wiring diagram, circuit board

TR 4000/4200, onboard battery

Wiring diagram TR 4000 / TR 4200





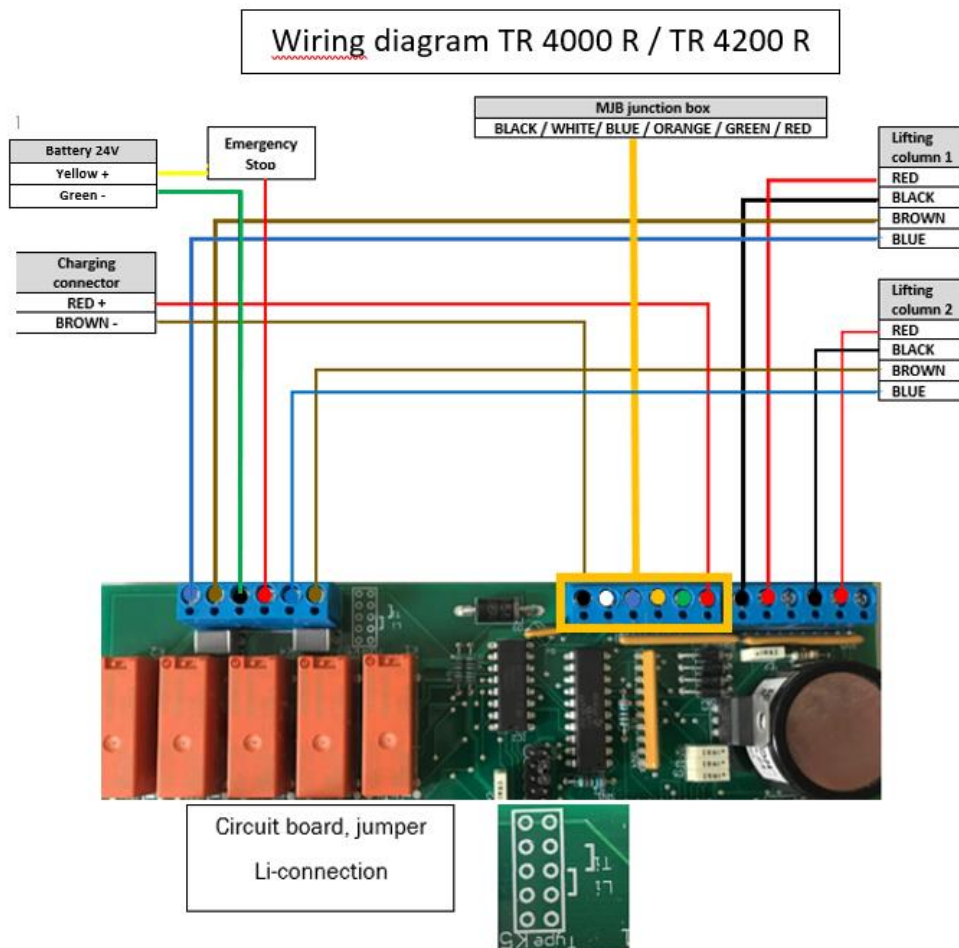
TR4000/4200  
Shower Trolley

Hygiene Equipment

Designed for People

Wiring diagram, circuit board

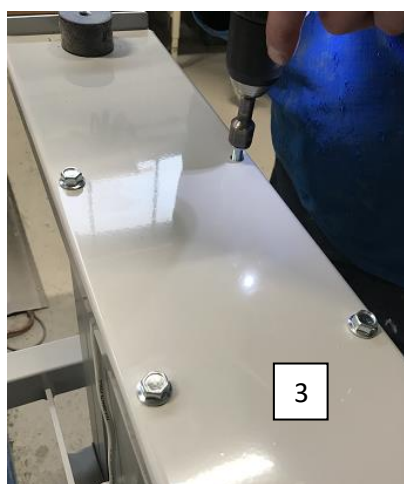
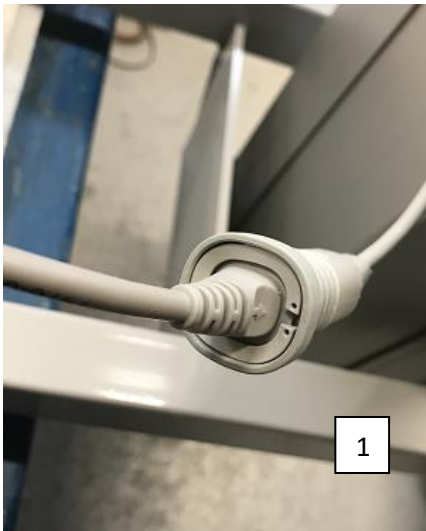
TR 4000R/4200R, removable battery





## Service instructions

### TR4000/4200 – How to replace the lifting column



- Remove pillow, mattress and plastic plate
- Push in the emergency button, cut the cable ties and disconnect the lifting column cable (1).
- Unscrew the four screws holding the stretcher and lift off the stretcher (2).
- Unscrew the four screws on the top of the column (3).
- Unscrew the four screws underneath the column (4).
- Assemble the new lifting column in reversed order.
- Release the emergency button and calibrate the columns.





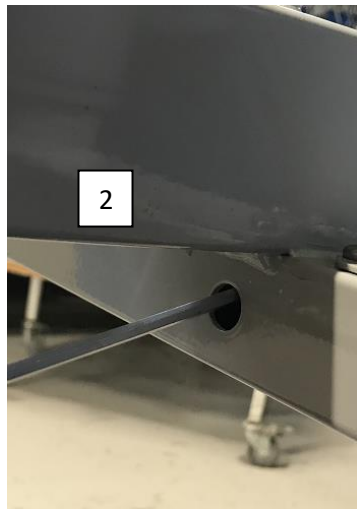
## Service instructions

### TR4000/4200 – How to replace the castors



#### Castor with brake

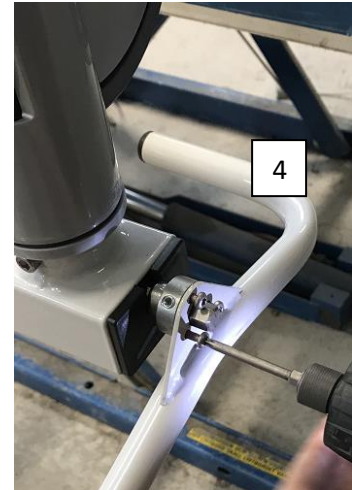
- Unscrew the screw according to the picture (1).
- Remove the rubber cap and loosen the screw which holding the rod(2).
- Remove the plastic plug and push the rod in to be able to remove the castor(3).
- Lift up the castor and replace it with a new castor.
- Insert the rod and mount the plastic plug.
- Tighten the screw.
- Verify that the brake function on the castor is working properly.



#### Straight steering castor

Same instructions as for the castor with brake, but you've to remove the brake level also.

- Press the Black straight steering pedal until a click is heard.
- Rotate the castor disc until a click is heard.
- Put the bolt and washer through the new straight steering castor. Put Loctite 243 to the bolt threads.
- Assemble the straight steering castor with the pedal pointing inwards (2).
- Tighten the bolt.
- Verify that the straight steering function on the castor is working properly.





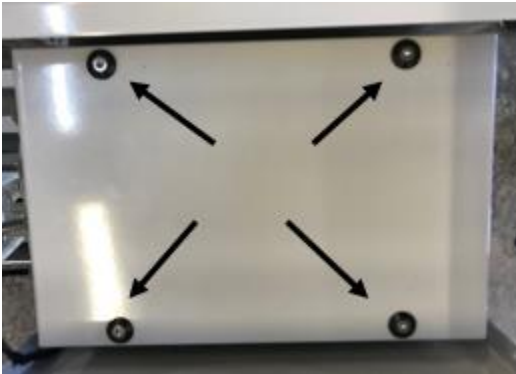
TR4000/4200  
Shower Trolley

*Hygiene Equipment*

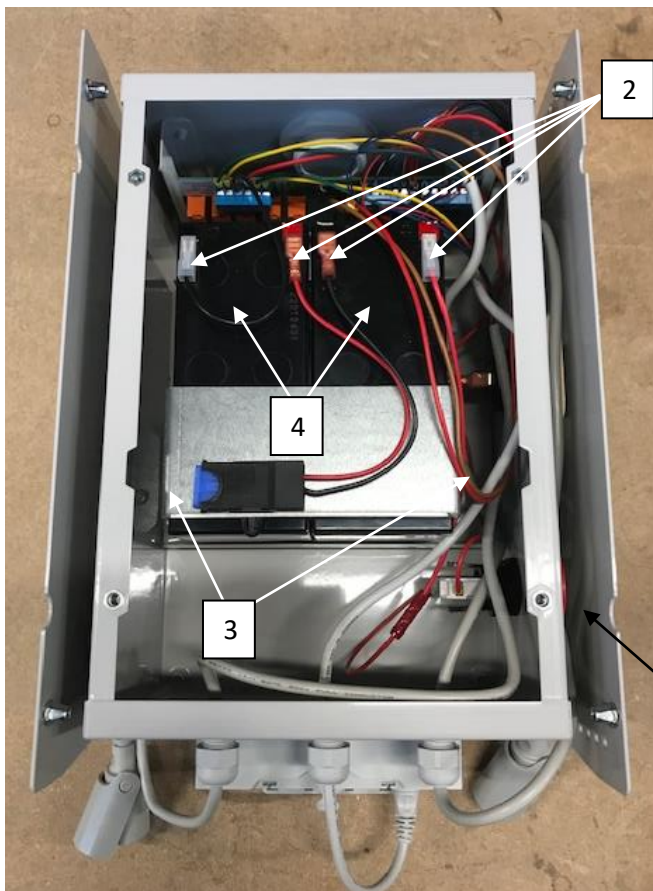
*Designed for People*

Service instructions

TR4000/4200 – How to replace the batteries



- Remove mattress, pillow, and plastic plate from the shower trolley.
- Unscrew the lid.
- Push the emergency button (1).



- Disconnect the cable shoes from the batteries (2).
- Unscrew the plate which holds the battery (3).
- Remove the batteries (4).
- Assemble the new batteries in the reversed order.





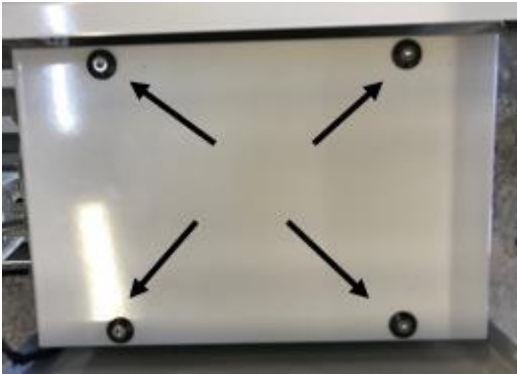
TR4000/4200  
Shower Trolley

*Hygiene Equipment*

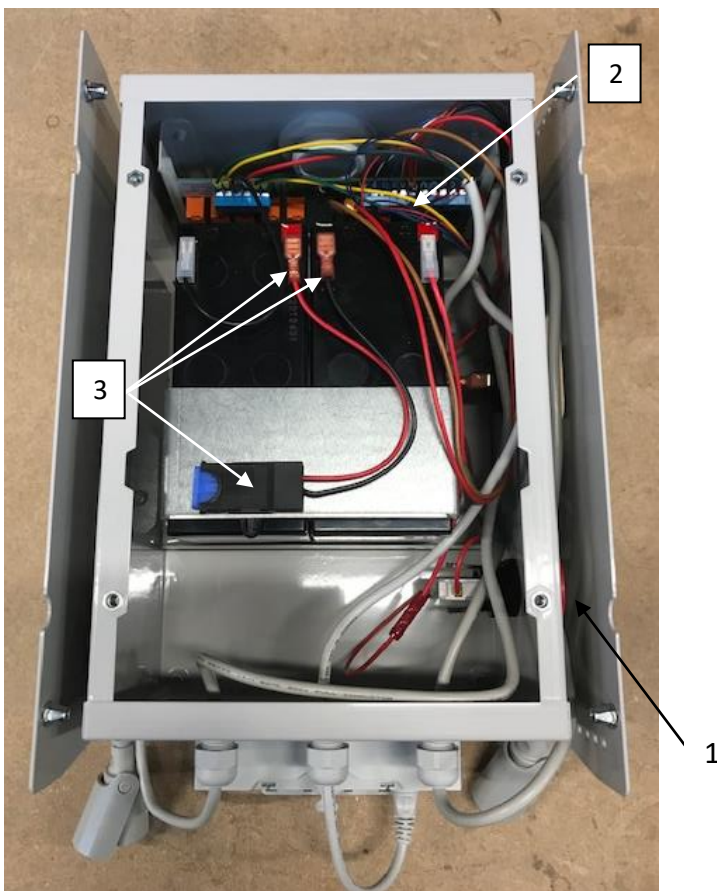
*Designed for People*

Service instructions

TR4000/4200 – How to replace the circuit board and fuse holder.



- Remove mattress, pillow, and plastic plate from the shower trolley.
- Unscrew the lid.
- Push the emergency button (1).



Replace the circuit board.

- Lift the circuit board from the slots and unscrew all cables (2).
- Connect all cables and assemble the new circuit board in the reversed order. See wiring diagram at page 9-10.

Replace the fuse holder.

- Disconnect the cables and remove the fuse holder from the plate holding the batteries (3).
- Connect the cables and attach the new fuse holder to the plate.



TR4000/4200  
Shower Trolley

*Hygiene Equipment*

*Designed for People*

---

Service instructions

TR4000/4200 – How to replace the hand control.



- Use a screwdriver to release the clamp for the cables.
- Stick the screwdriver in the slots at each end of the clamp, then move the screwdriver upwards to release the clamp.
- Pull the connector out of the splitter box.



- Push the connector into the MJB junction box.
- Attach the cable gland by pushing it from above into the MJB junction box to secure the cables.



TR4000/4200  
Shower Trolley

*Hygiene Equipment*

*Designed for People*

---

Service instructions

**TR4000/4000R/4200/4200R - Calibration/Initialization**

Use the hand control to calibrate/initialize the lifting columns.

- Press the DOWN button and run the lifting columns to the lowest position.
- When the lifting columns are in the lowest position press the DOWN button again.
- Press the DOWN button once more and two short tones will be heard.

When you hear the two short tones the lifting columns are calibrated/initialized and the shower trolley is ready to be used again.





TR4000/4200

Shower Trolley

*Hygiene Equipment*

*Designed for People*

---

## Service instructions

### Electrical trouble shooting TR3200, -L, onboard batteries

Problem	Check list
The lifting column doesn't work.	<ul style="list-style-type: none"><li>- Is the emergency stop activated? (Release if necessary)</li><li>- Is the contact block for the emergency properly fastened?</li><li>- Check the voltage on both batteries.</li><li>- Check the connections on the circuit board.</li><li>- Check the wiring diagram.</li><li>- Is the Circuit board jumper in Ti-position?</li><li>- Is the foot control or hand control, OK?</li><li>- Replace lifting column.</li></ul>
The lifting column only work small steps at a time.	<ul style="list-style-type: none"><li>- Check that the circuit board jumper is in Ti-position.</li><li>- Check the wiring diagram.</li><li>- Replace circuit board.</li><li>- Replace the lifting column.</li></ul>
There's a beep coming from the shower trolley.	<ul style="list-style-type: none"><li>- If the beep is a long and short beep the batteries must be charged.</li><li>- If the beep is one long and two short the lifting column needs to be calibrated. (See table of contents in the Operating manual)</li></ul>
It's not possible to charge the batteries.  (The LED light on the battery charger turns Green immediately when I connect the battery charger.)	<ul style="list-style-type: none"><li>- Check if the emergency stop is activated. (Release if necessary.)</li><li>- Is the contact block for the emergency stop properly fastened?</li><li>- One or both batteries probably have too low voltage. Check the voltage and replace if necessary.</li><li>- Replace circuit board.</li></ul>



TR4000/4200

Shower Trolley

*Hygiene Equipment*

*Designed for People*

---

## Service instructions

### Electrical trouble shooting TR3200-R, -LR, removable battery

Problem	Check list
The lifting column doesn't work.	<ul style="list-style-type: none"><li>- Is the battery ON? (Press the ON button)</li><li>- Is the battery charged? (charge the battery for at least 8 hours).</li><li>- Is the emergency stop activated? (Release if necessary)</li><li>- Is the contact block for the emergency properly fastened?</li><li>- Check the connections on the circuit board.</li><li>- Check the wiring diagram.</li><li>- Is the Circuit board jumper in Ti-position?</li><li>- Is the foot control or hand control, OK?</li><li>- Replace lifting column.</li></ul>
The lifting column only work small steps at a time.	<ul style="list-style-type: none"><li>- Check that the circuit board jumper is in Ti-position.</li><li>- Check the wiring diagram.</li><li>- Replace circuit board.</li><li>- Replace the lifting column.</li></ul>
There's a beep coming from the shower trolley.	<ul style="list-style-type: none"><li>- If the beep comes from the battery and the battery has an orange light, the battery must be charged.</li><li>- If the beep is one long and two short the lifting column needs to be calibrated. (See table of contents in the Operating manual)</li></ul>
It's not possible to charge the battery.	<ul style="list-style-type: none"><li>- Replace the battery.</li></ul>



TR4000/4200

*Hygiene Equipment*

Shower Trolley

*Designed for People*

---

## Service instructions, routine maintenance

### Monthly maintenance:

- Make sure that screws and fastenings are tightened. It's important that all screws and fastenings are checked and tightened if needed, including those not easily visible.
- Make sure that all castors are tightened. When replacing castors use only castors and fasteners supplied by TR Equipment.
- Inspect all castors to ensure they are cleaned and make sure brakes and straight steering are fully functioning.
- Make sure that raise and lowering function works properly the entire lift range.
- Make sure the tilting functions works properly.

### Annual maintenance:

It's recommended to consult an authorized service/maintenance technician to perform a full inspection of the shower trolley annually.

- Thorough inspection of before every use, daily, weekly and monthly maintenance instructions. See check list on page 23-25.
- Make sure that the mattress and pillow are in good condition.
- Replace drainages, drain plugs and drainage hose.
- The shower trolley should immediately taken out of operation if defects or irregularities are noted.  
Prompt service is required.

### Maintenance every 5 year:

- Replace both lifting columns and control box.
- Replace castors.



TR4000/4200

Shower Trolley

*Hygiene Equipment*

*Designed for People*

Service instructions, routine maintenance

Check list annual maintenance

<b>Chassis</b> Is the shower trolley properly cleaned and dried?  Yes <input type="checkbox"/> No <input type="checkbox"/>	<b>Comment:</b>	<b>Action:</b>
<b>Chassis</b> Are screws and fasteners tightened?  Yes <input type="checkbox"/> No <input type="checkbox"/>	<b>Comment:</b>	<b>Comment:</b>
<b>Chassis</b> Any signs of wear or damages?  Yes <input type="checkbox"/> No <input type="checkbox"/>	<b>Comment:</b>	<b>Comment:</b>
<b>Mattress and pillow</b> Are mattress and pillow cleaned properly and in good condition?  Yes <input type="checkbox"/> No <input type="checkbox"/>	<b>Comment:</b>	<b>Comment:</b>
<b>Side rails</b> Is it possible to raise and lower the side rails?  Yes <input type="checkbox"/> No <input type="checkbox"/>	<b>Comment:</b>	<b>Comment:</b>
<b>Drainage</b> Replace drainage, drainage hose and drainage plugs.  Yes <input type="checkbox"/> No <input type="checkbox"/>	<b>Comment:</b>	<b>Comment:</b>



TR4000/4200

Shower Trolley

*Hygiene Equipment*

*Designed for People*

---

Service instructions, routine maintenance

Check list annual maintenance

<b>Lifting columns</b> Is it possible to raise and lower the lifting columns the entire lift range? (Use the hand control)  Yes <input type="checkbox"/> No <input type="checkbox"/>	<b>Comment:</b>	<b>Action:</b>
<b>Lifting columns</b> Is it possible to tilt the stretcher? (Use the hand control)  Yes <input type="checkbox"/> No <input type="checkbox"/>	<b>Comment:</b>	<b>Comment:</b>
<b>Lifting columns</b> Calibrate/Initialize the lifting columns. See instruction on page 19.  Yes <input type="checkbox"/> No <input type="checkbox"/>	<b>Comment:</b>	<b>Comment:</b>
<b>Castors</b> Are the castors cleaned and fully functioning?  Yes <input type="checkbox"/> No <input type="checkbox"/>	<b>Comment:</b>	<b>Comment:</b>
<b>Castors</b> Are brakes and straight steering functioning properly?  Yes <input type="checkbox"/> No <input type="checkbox"/>	<b>Comment:</b>	<b>Comment:</b>
<b>Castors</b> Are the castors properly fastened?  Yes <input type="checkbox"/> No <input type="checkbox"/>	<b>Comment:</b>	<b>Comment:</b>





TR4000/4200

*Hygiene Equipment*

Shower Trolley

*Designed for People*

Service instructions, routine maintenance

Check list every 5 years maintenance

<b>Lifting columns</b> Replace lifting columns.  Yes <input type="checkbox"/> No <input type="checkbox"/>	<b>Comment:</b>	<b>Action:</b>
<b>Castors</b> Replace castors.  Yes <input type="checkbox"/> No <input type="checkbox"/>	<b>Comment:</b>	<b>Comment:</b>
<b>Shower trolley approved and OK to use?</b>  Yes <input type="checkbox"/> No <input type="checkbox"/>	<b>Comment:</b>	<b>Comment:</b>

**Note:**

The shower trolley should be immediately taken out of operation if defects or irregularities are noted. Prompt service is required! Contact your TR Equipment representative.

**Order or download a new Service and maintenance manual after annual maintenance!**

\_\_\_\_\_  
Company / Person

\_\_\_\_\_  
Serial number

\_\_\_\_\_  
Maintenance date

\_\_\_\_\_  
Signature



TR4000/4200

*Hygiene Equipment*

Shower Trolley

*Designed for People*

---

## Cleaning instructions

### **Note:**

The user/operator is responsible selecting the correct cleaning liquid/detergent and additives according to local regulations and safety standards. Please read the cleaning liquid/detergent supplier's instruction manual and find out whether the product is suitable for use with the product.

### **General cleaning recommendations for mattress, pillow and plastic plate:**

- Select cleaning interval according to the degree of contamination.
- Contaminations should be removed as soon as possible in order to prevent material damage.
- DO NOT use tools which might damage the surface of the mattress and pillow, instead use a towel, sponge or soft brush.
- The mattress, pillow, plastic plate and chassis must be dried when the shower trolley is not in use.

### **General guidelines for cleaning liquids/detergents:**

- No solvent based or strong alkaline cleaning liquids/detergents, use of these products may cause damage.
- Use only nonabrasive types of detergent.
- Less than 5Wt% chloride content.
- Less than 3Wt% alcohol content.

### **Cleaning process:**

- Lightly brush off loose dirt particles first, then rinse material with clear water.
- Spray on the cleaning liquid/detergent in recommended concentration or apply with a clean towel. Dose the amount according to the degree of contamination.
- Allow cleaning liquid/detergent to act for a short while (2-5 minutes) and wipe it off with a towel.
- Rinse off dirt and cleaning liquid/detergent residues thoroughly with cold or lukewarm water to prevent material discolorations.
- When the shower trolley is not in use, all parts on the shower trolley must be properly cleaned and dry.

### **Note:**

After cleaning the lifting columns, dry them before use.

### **Note:**

Pool areas are aggressive environment.



TR4000/4200

Shower Trolley

*Hygiene Equipment*

*Designed for People*

---

## Safety instructions

In case of accident

**Note:**

In case of a serious incident when using the TR4000/4200 shower trolley, this should be reported to the manufacturer and to the local authorities where you are established.



TR Equipment AB  
Rundelgatan 2  
SE-573 35 Tranås  
Sweden

[www.trequipment.com](http://www.trequipment.com)

[info@trequipment.se](mailto:info@trequipment.se)

Phone: +46 (0)140 38 50 60

### Group subsidiaries:

**USA**

TR Group Inc.

Phone: +1 (800) 7526900

[www.trequipment.com](http://www.trequipment.com)

[information@trequipment.com](mailto:information@trequipment.com)

**Germany:**

TranspoRehamed GmbH

Phone: +49 (0) 212-645850-0

[www.transporehamed.de](http://www.transporehamed.de)

[info@transporehamed.de](mailto:info@transporehamed.de)

