



TR3200 Shower Trolley

Hygiene Equipment

Designed for People

Service and maintenance Manual incl. Spare part list

Version 2024-05-03



Registered at Medical Products Agency, Sweden as a MDR Class 1 product according to MDR 2017/745.

TR reserves the right to make design changes and/or improvements without notice.



If you have questions regarding the service instructions or maintenance of your Shower Trolley and cannot find the answer in this manual, please contact us.

Only qualified staff who are trained and certified and who can understand all operating and safety procedures may operate and service this equipment.

The shower trolley is designed for years of trouble-free operation, with proper use and maintenance.



Mandatory to read the manual before using the equipment



TR3200 Shower Trolley

Hygiene Equipment

Designed for People

Table of contents

Manufacturer	3
Spare part lists	4
- TR 3200, -R, -LR with removable batteries	5
- Wiring diagram circuit board TR 3200, -L Onboard batteries	13
- Wiring diagram circuit board TR 3200-R, -LR removable battery	14
Service instructions main parts	15
- How to replace the lifting column	15
- How to replace the castors with brake	16
- How to replace the castors with straight steering	16
Service instructions electrical parts	17
- How to replace the batteries	17
- How to replace the circuit board	18
- How to replace the fuse and the fuse cabling	18
- How to replace the hand control	19
- Calibration/Initialization, lifting columns	20
Trouble shooting	21
- Trouble shooting TR3200, L, onboard batteries	21
- Trouble shooting TR3200-R, LR, removable batteries	22
Service instructions Routine Maintenance	23
- Service routine maintenance	23
- Check list annual maintenance	24
- Check list every 5 years	26
- Cleaning instructions	27
- Safety instructions	28
- Maintenance and service record	29



TR3200

Hygiene Equipment

Shower Trolley

Designed for People

Manufacturer



TR Equipment AB
Rundelgatan 2
SE-573 35 Tranås
Sverige

Phone: +46 (0)140 38 50 60

www.trequipment.com

info@trequipment.se

Group subsidiaries:

USA

TR Group Inc.

Phone: +1 (800) 7526900

www.trequipment.com

information@trequipment.com

Germany:

TranspoRehamed GmbH

Phone: +49 (0) 212-645850-0

www.transporehamed.de

info@transporehamed.de



TR3200

Shower Trolley

Hygiene Equipment

Designed for People

Spare parts for TR 3200 / TR 3200-L, -R, LR onboard batteries and removable batteries

Dear customer,

If you need spare parts and can't find it in the spare parts list, contact TR Equipment.



Mandatory to read the manual before using the equipment



TR3200

Shower Trolley

Hygiene Equipment

Designed for People

Spare parts TR 3200, electrical shower trolley

TR 3200, -L, -R, LR

Year 2018-2021 (Serial number 1802-24596 - 70508803)





TR3200

Shower Trolley

Hygiene Equipment

Designed for People

Spare parts TR 3200, electrical shower trolley

TR 3200, -L, -R, LR

Year 2018-2021 (Serial number 1802-24596 - 70508803)

Position	Part number	Spare part	Standard equipment/Option
1	820818-4224	FLEXIDRAIN HOSE 11/2' 40 L=1M	Standard equipment
2	851020	PLASTIC HOLDER FOR DRAINAGE HOSE	Standard equipment
3	829392	DRAINAGE G1 1/2 W.NUT, SHOW TROLL	Standard equipment
4	829391	DRAINPLUG 45,5 mm WITH STRING, SHOW TROLL.	Standard equipment
5	7333480-04	MATTRESS BLUE FOR TR3200 (1950x640MM)	Standard equipment
5	7333480-05	MATTRESS FOR TR3200, GREY, 1950X640 MM	Option
5	7333500	BLUE MATTRESS FOR TR3200L 2150x795	Standard equipment
6	7419488-04	HEAD PILLOW BLUE, SHOWER TROLLEY	Standard equipment
6	7419488	HEAD PILLOW GRAY, SHOWER TROLLEY	Option
7	851899-02	HANDKONTROLL TR3200 R, TH12 MED TRE LOGGA	Standard equipment
8	851760	CASTOR LINEA 100MM BRAKE	Standard equipment
9	851761	CASTOR LINEA 100MM STRAIGHT STEERING	Standard equipment
10	200125	ENCLOSURE FOR TR3200, 2021	Standard equipment
11	851895-02	LIFTING COLUMN TL8 2000N	Standard equipment
12	7333217	PVC PLATE 1935 MM FOR TR3200	Standard equipment
12	7333474	PVC PLATE 1 FOR TR3200 L, 1262X780 MM	Standard equipment
12	7333474-02	PVC PLATE FOR TR3200 L, 872X780 MM	Standard equipment
13	3133190-08	SIDE RAIL L=1918 MM FOR TR3200	Standard equipment
13	3133190-07	SIDE RAIL L=2118 MM FOR TR3200 L	Standard equipment



TR3200

Shower Trolley

Hygiene Equipment

Designed for People

Spare parts TR 3200, electrical shower trolley

Year 2021- (Serial number 70508804-)

TR 3200, -L, -R, LR





TR3200

Shower Trolley

Hygiene Equipment

Designed for People

Spare parts TR 3200, electrical shower trolley

TR 3200, -L, -R, LR

Position	Part number	Spare part	Standard equipment/Option
1	820818-4224	FLEXIDRAIN HOSE 1 1/2' 40 L=1M	Standard equipment
2	851020	PLASTIC HOLDER FOR DRAINAGE HOSE	Standard equipment
3	829392	DRAINAGE G1 1/2 W.NUT, SHOW TROLL	Standard equipment
4	829391	DRAINPLUG 45,5 mm WITH STRING, SHOW TROLL.	Standard equipment
5	7333480-04	MATTRESS BLUE FOR TR3200 (1950x640MM)	Standard equipment
5	7333480-05	MATTRESS FOR TR3200, GREY, 1950X640 MM	Option
5	7333500	BLUE MATTRESS FOR TR3200L 2150x795	Standard equipment
6	7419488-04	HEAD PILLOW BLUE, SHOWER TROLLEY	Standard equipment
6	7419488	HEAD PILLOW GRAY, SHOWER TROLLEY	Option
7	7440000	HAND CONTROL HB30 FOR TR3200, 2-LINES	Standard equipment
8	851760	CASTOR LINEA 100MM BRAKE	Standard equipment
8	851761	CASTOR LINEA 100MM STRAIGHT STEERING	Option
9	200125	ENCLOSURE FOR TR3200, 2021	Standard equipment
10	851895-02	LIFTING COLUMN TL8 2000N	Standard equipment
11	7333217	PVC PLATE 1935 MM FOR TR3200	Standard equipment
11	7333474	PVC PLATE 1 FOR TR3200 L, 1262X780 MM	Standard equipment
11	7333474-02	PVC PLATE FOR TR3200 L, 872X780 MM	Standard equipment
12	3234161-1950	SIDERAIL, SHOWER TROLLEY,L=1950 MOD 2021	Standard equipment
12	3234161-2150	SIDERAIL SHOWER TROLLEY TR3200L, L=2150	Standard equipment



TR3200

Shower Trolley

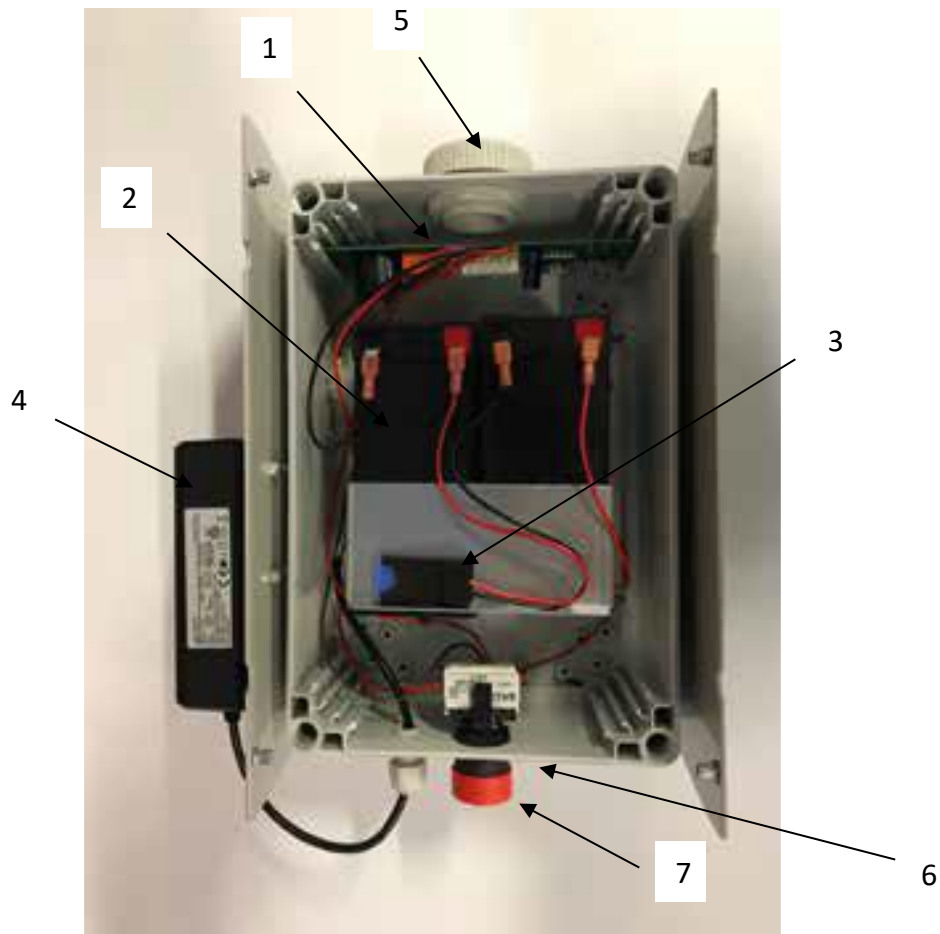
Hygiene Equipment

Designed for People

Spare parts TR 3200, electrical shower trolley

TR 3200, -L

Year 2018-2021 (Serial number 1802-24596 - 70508803)



Position	Part number	Spare part	Standard equipment/Option
1	819354-02	SPAREPART CIRCUITBOARD TR3000/3200/4000/4200 2021	Standard equipment
2	819030	BATTERY 12V, 7 AH	Standard equipment
3	200117	HOLDER FOR FUSE TR3200/4000	Standard equipment
4	851897-02	CONTROL BOX FOR TBB6 ON TR3200	Standard equipment
5	819171	VENT PLUG DA 284	Standard equipment
6	819148	POWER PORT 24V MAGCODE	Standard equipment
6	819150	PORT COVER MAGCODE	Standard equipment
6	829143	GASKET FOR MAGCODE CONTACT	Standard equipment
7	819310	EMERGENCY BUTTON	Standard equipment
7	819312	CONTACT BLOCK FOR THE EMERGENCY BUTTON	Standard equipment
7	829144	GASKET FOR EMERGENCY BUTTON	Standard equipment



TR3200

Shower Trolley

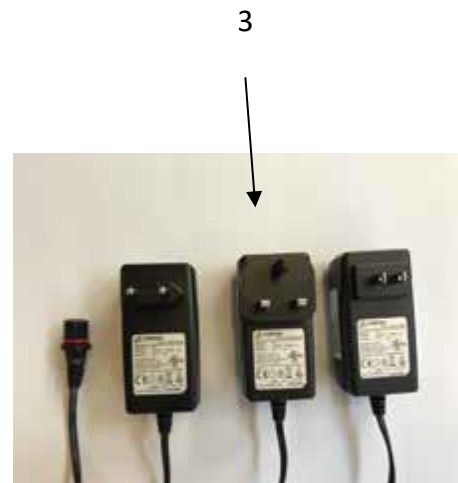
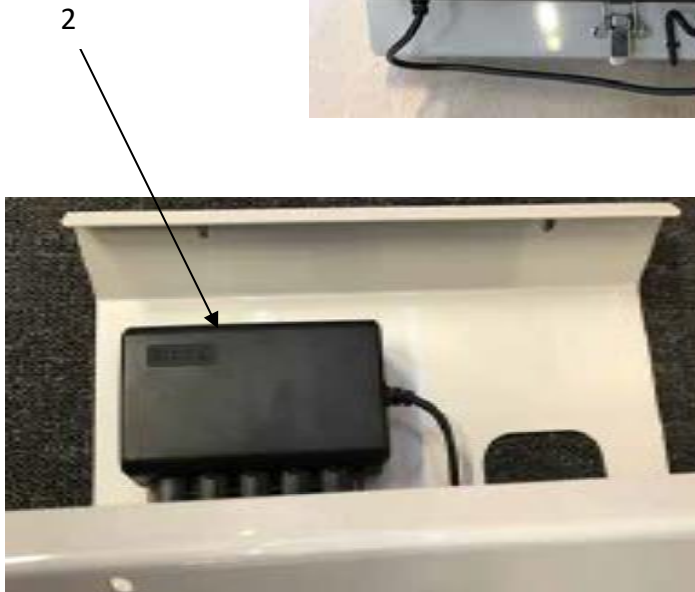
Hygiene Equipment

Designed for People

Spare parts TR 3200, electrical shower trolley

TR 3200-R, LR

Year 2018-2021 (Serial number 1802-24596 - 70508803)



Position	Part number	Spare part	Standard equipment/Option
1	200110	CONTROLL BOX TBB5 COMPLETE TR1000/3200	Standard equipment
2	851897-02	CONTROL BOX FOR TBB6 ON TR3200	Standard equipment
3	0521197	BATT CHARG. TP7. EU, 100-240V, 1,5A, 50-60Hz	Standard equipment
4	0521199	BATT CHARG. TP7. UK, 100-240V, 1,5A, 50-60Hz	Standard equipment
5	0521198	BATT CHARG. TP7. US, 100-240V, 1,5A, 50-60Hz	Standard equipment



TR3200

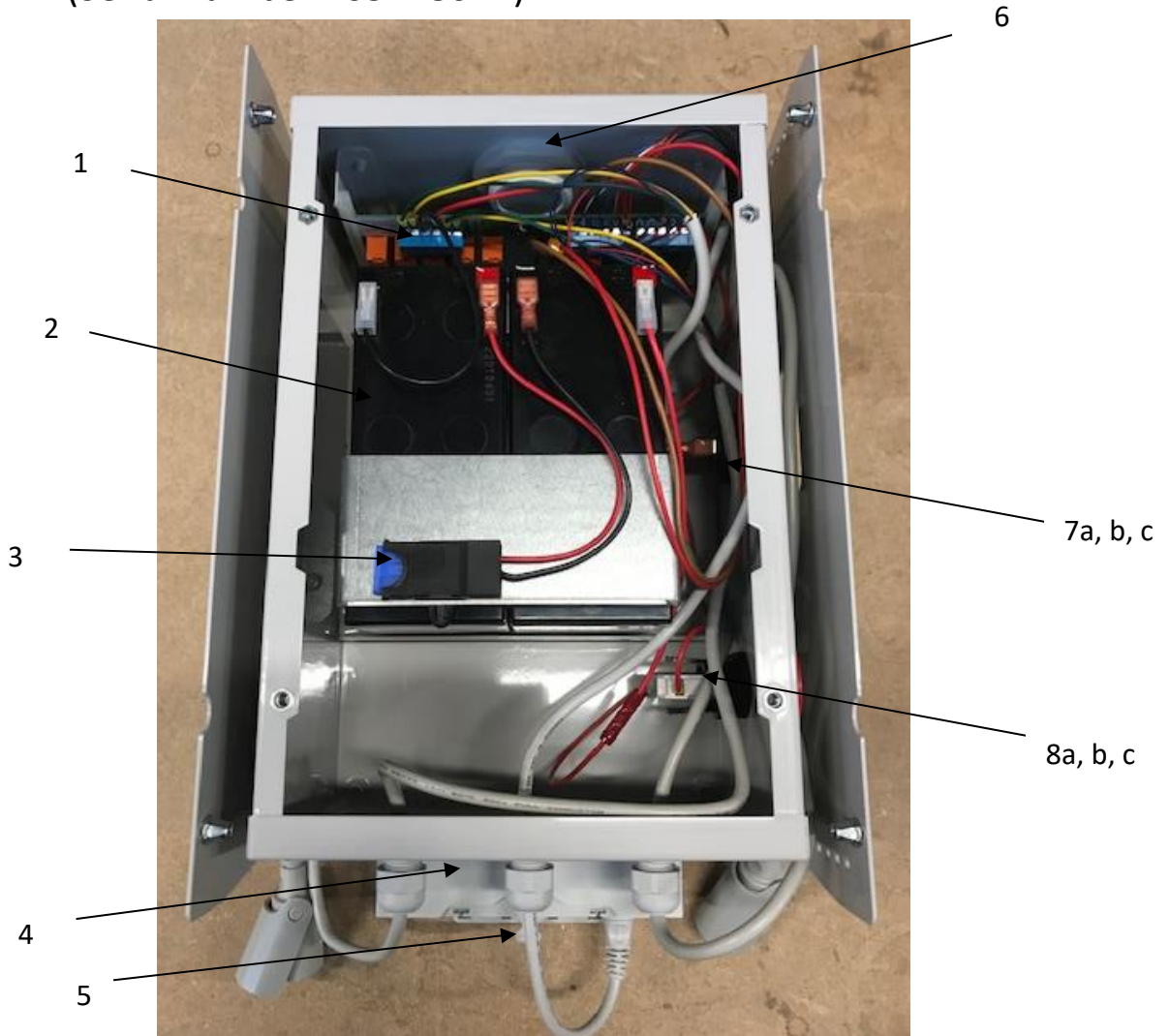
Shower Trolley

Hygiene Equipment

Designed for People

Spare parts TR 3200, -L, Electrical enclosure, P/N 200125

Year 2022 – (Serial number 70524802 -)



Position	Part number	Spare part	Standard equipment/Option
1	819354-02	SPAREPART CIRCUITBOARD TR3000/3200/4000/4200 2021	Standard equipment
2	819030	BATTERY 12V, 7 AH	Standard equipment
3	200117	HOLDER FOR FUSE TR3200/4000	Standard equipment
4	7440002	SPLITTER BOX MJB FOR TR3200/TR3000 Mod. -21	Standard equipment
5	7440004	PLUG FOR SPLITTER BOX MJB, TR3200/ TR3000 Mod. -21	Standard equipment
6	819171	VENT PLUG DA 284	Standard equipment
7a	819148	POWER PORT 24V MAGCODE	Standard equipment
7b	819150	PORT COVER MAGCODE	Standard equipment
7c	829143	GASKET FOR MAGCODE CONTACT	Standard equipment
8a	819310	EMERGENCY BUTTON	Standard equipment
8b	819312	CONTACT BLOCK FOR THE EMERGENCY BUTTON	Standard equipment
8c	829144	GASKET FOR EMERGENCY BUTTON	Standard equipment



TR3200

Shower Trolley

Hygiene Equipment

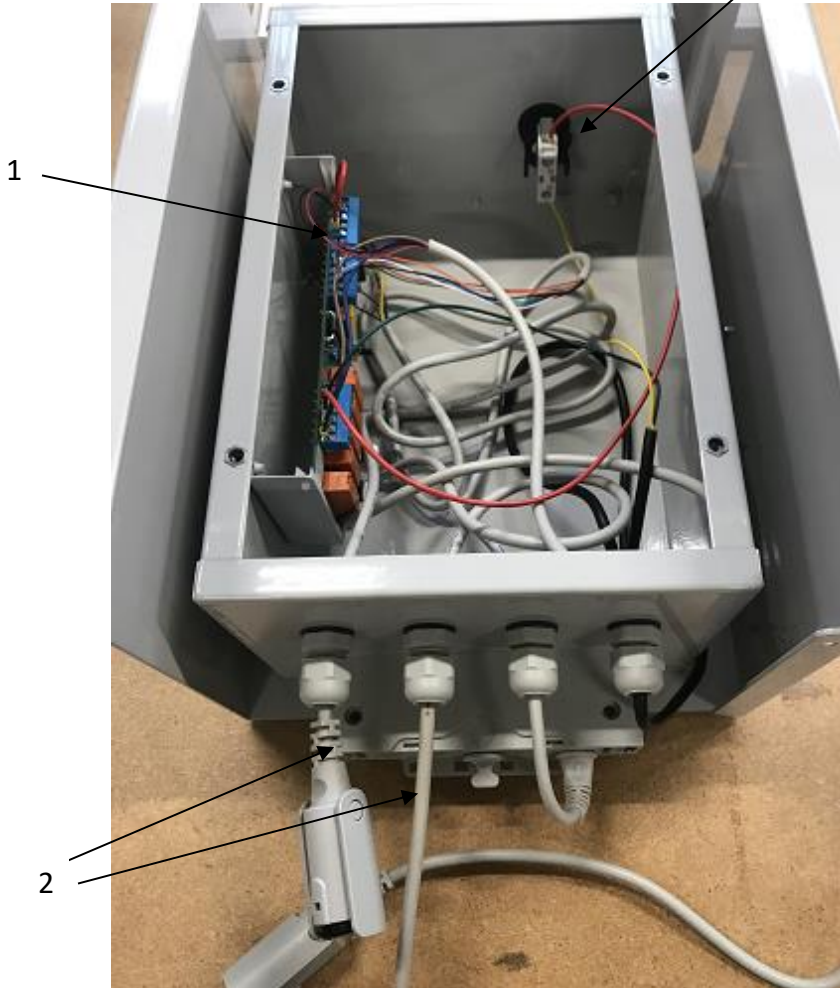
Designed for People

Spare parts TR 3200-R, -LR, Electrical enclosure, P/N 200128

2022 – (Serial number 70524802 -)

3a, b, c

4



Position	Part number	Spare part	Standard equipment/Option
1	819354-02	SPAREPART CIRCUITBOARD TR3000/3200/4000/4200 2021	Standard equipment
2	851895-03	CABLE FOR TL8 ACTUATOR, 1300MM	Standard equipment
3a	819310	EMERGENCY BUTTON	Standard equipment
3b	819312	CONTACT BLOCK FOR THE EMERGENCY BUTTON	Standard equipment
3c	829144	GASKET FOR EMERGENCY BUTTON	Standard equipment
4	200110	CONTROL BOX TBB5 COMPLETE TR1000/3200	Standard equipment



TR3200
Shower Trolley

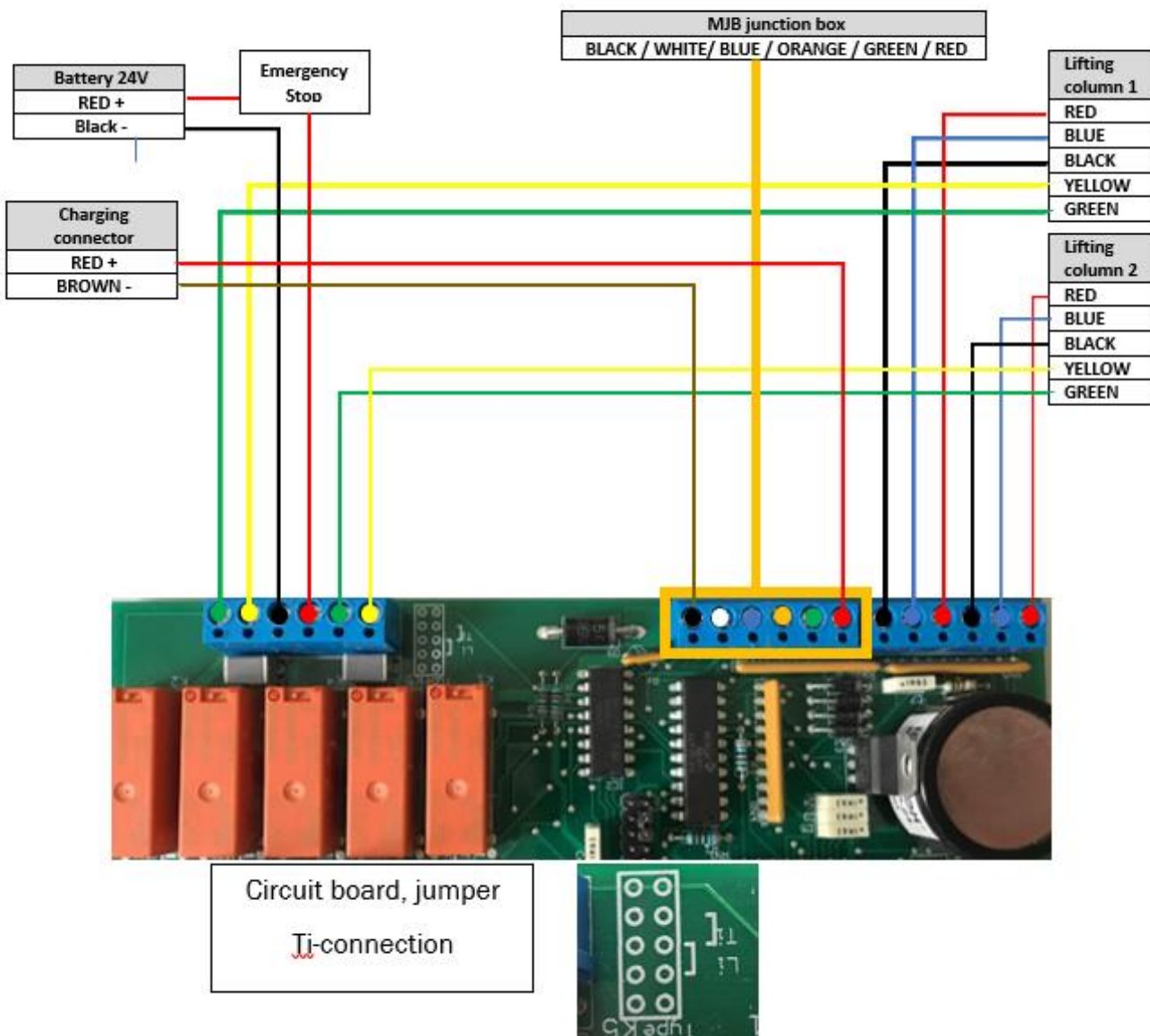
Hygiene Equipment

Designed for People

Wiring diagram, circuit board

TR 3200, -L , onboard battery

Wiring diagram TR 3200 Version.2





TR3200

Shower Trolley

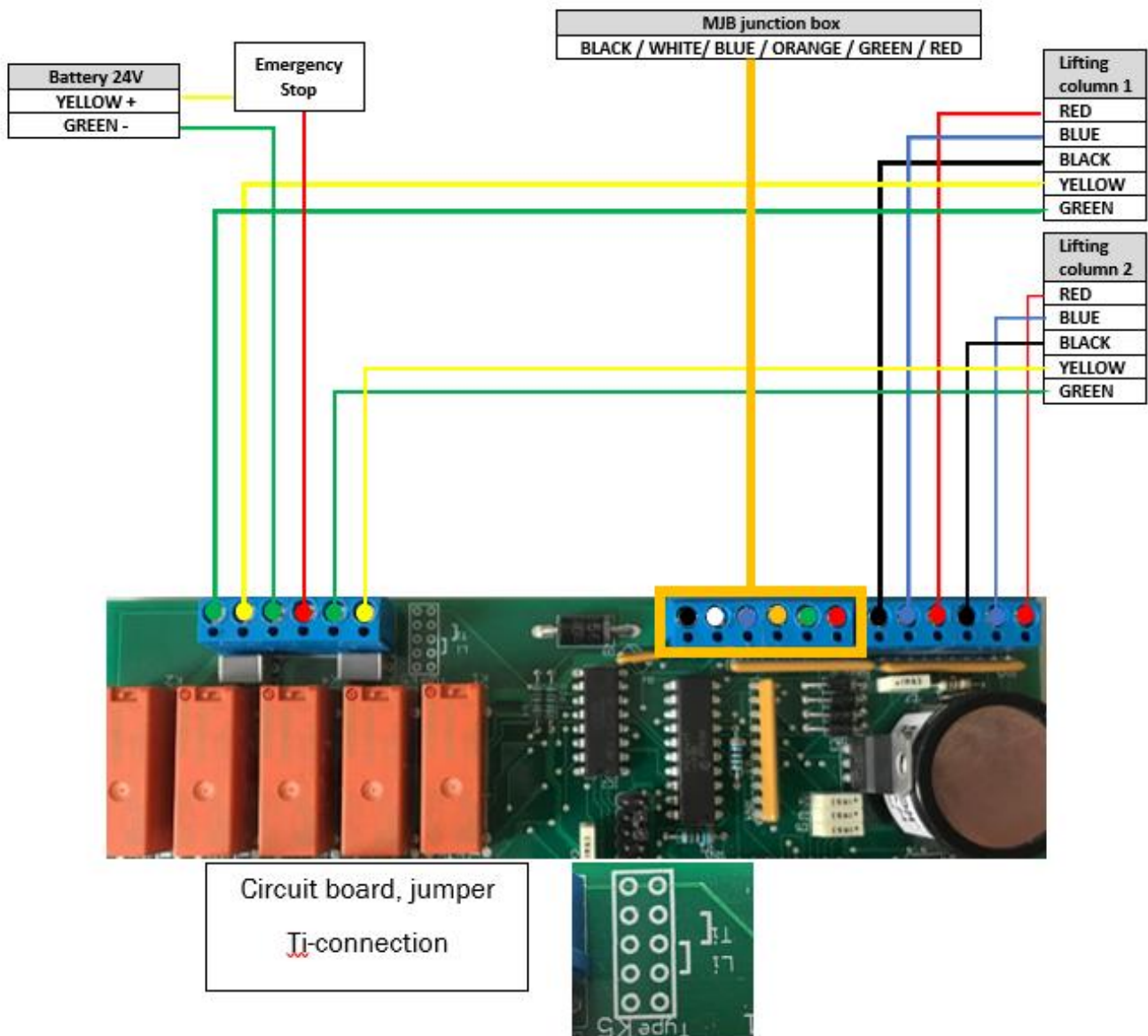
Hygiene Equipment

Designed for People

Wiring diagram, circuit board

TR 3200-R, LR, removable battery

Wiring diagram TR 3200R Version.2 with Lithium battery





TR3200

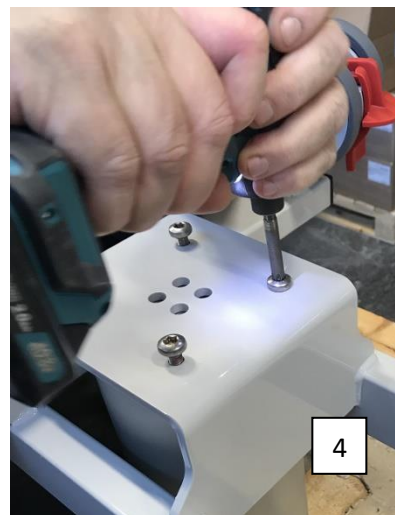
Shower Trolley

Hygiene Equipment

Designed for People

Service instructions

TR3200 – How to replace the lifting column



- Remove pillow, mattress and plastic plate
- Push in the emergency button, cut the cable ties and disconnect the lifting column cable (1).
- Unscrew the four screws holding the stretcher and lift off the stretcher (2).
- Unscrew the four screws on the top of the column (3).
- Unscrew the four screws underneath the column (4).
- Assemble the new lifting column in reversed order.
- Release the emergency button and calibrate the columns.



TR3200

Shower Trolley

Hygiene Equipment

Designed for People

Service instructions

TR3200 – How to replace the castors



Castor with brake

- Unscrew the 17mm bolt and washer and remove the castor according to the picture (1).
- Put the bolt and washer through the new castor. Put Loctite 243 to the bolt threads.
- Make sure the washer between castor and chassis is in correct position.
- Tighten the bolt.
- Verify that the brake function on the castor is working properly.



Washer between castor and chassis.

Straight steering castor (factory mounted option)

Same instructions as for the castor with brake, but the washer between straight steering castor and chassis has two straight steering pins.

- Press the Black straight steering pedal until a click is heard.
- Rotate the castor disc until a click is heard.
- Put the bolt and washer through the new straight steering castor. Put Loctite 243 to the bolt threads.
- Assemble the straight steering castor with the pedal pointing inwards (2).
- Tighten the bolt.
- Verify that the straight steering function on the castor is working properly.





TR3200

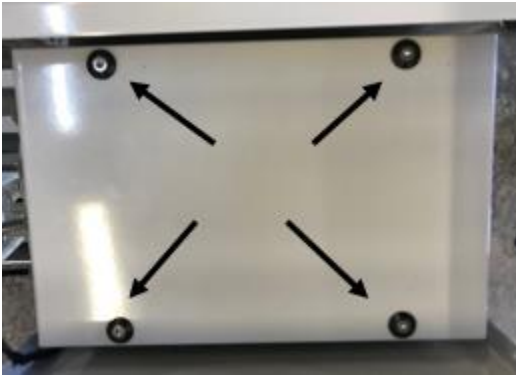
Shower Trolley

Hygiene Equipment

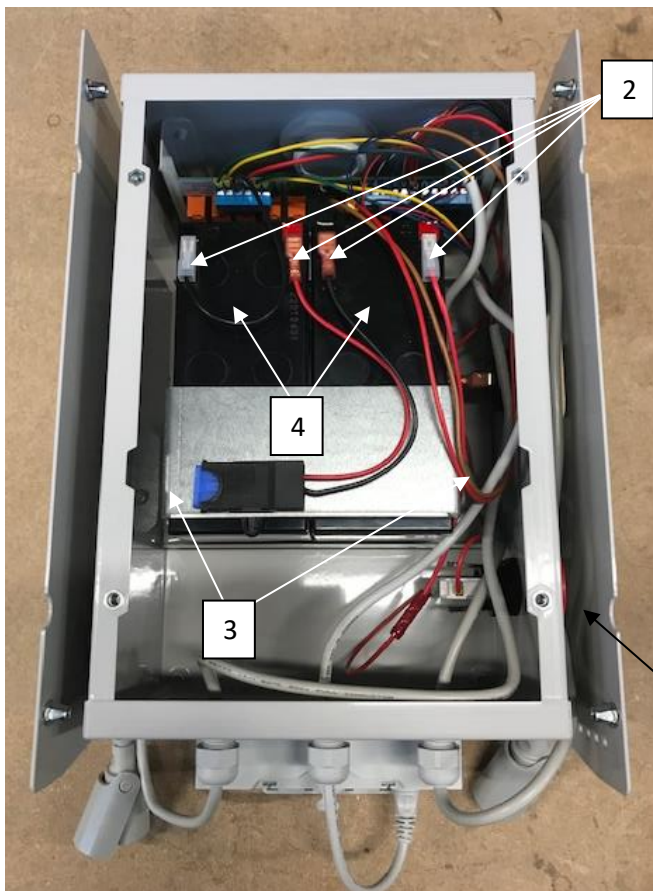
Designed for People

Service instructions

TR3200 – How to replace the batteries



- Remove mattress, pillow, and plastic plate from the shower trolley.
- Unscrew the lid.
- Push the emergency button (1).



- Disconnect the cable shoes from the batteries (2).
- Unscrew the plate which holds the battery (3).
- Remove the batteries (4).
- Assemble the new batteries in the reversed order.



TR3200

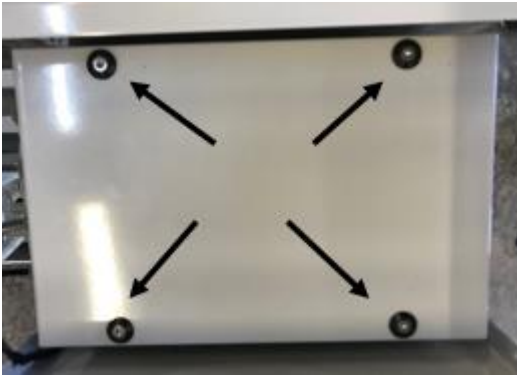
Shower Trolley

Hygiene Equipment

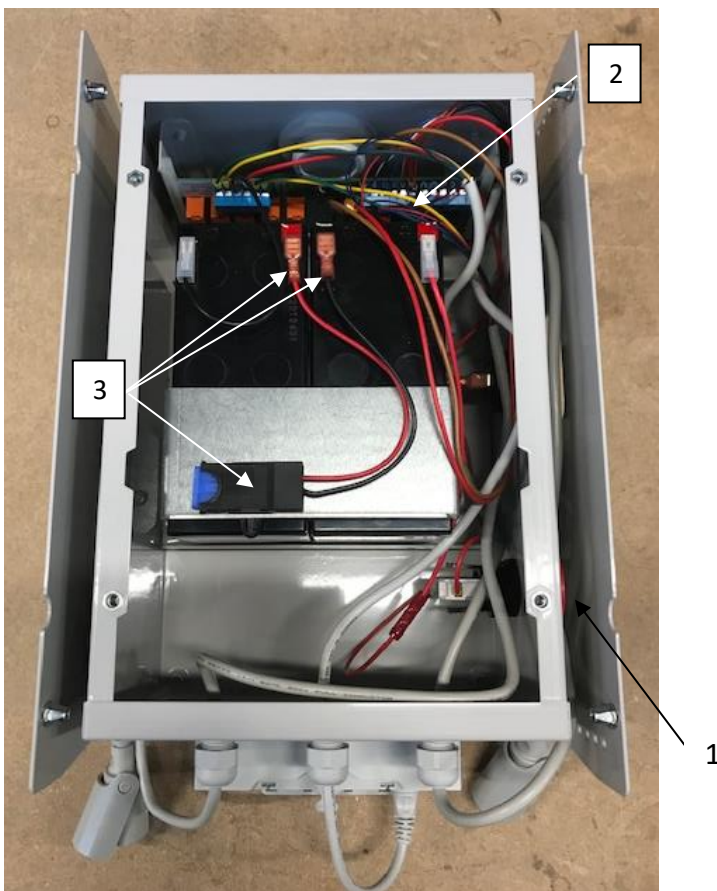
Designed for People

Service instructions

TR3200 – How to replace the circuit board and fuse holder.



- Remove mattress, pillow, and plastic plate from the shower trolley.
- Unscrew the lid.
- Push the emergency button (1).



Replace the circuit board.

- Lift the circuit board from the slots and unscrew all cables (2).
- Connect all cables and assemble the new circuit board in the reversed order. See wiring diagram at page 9-10.

Replace the fuse holder.

- Disconnect the cables and remove the fuse holder from the plate holding the batteries (3).
- Connect the cables and attach the new fuse holder to the plate.



TR3200

Shower Trolley

Hygiene Equipment

Designed for People

Service instructions

TR3200 – How to replace the hand control.



- Use a screwdriver to release the clamp for the cables.
- Stick the screwdriver in the slots at each end of the clamp, then move the screwdriver upwards to release the clamp.
- Pull the connector out of the splitter box.



- Push the connector into the MJB junction box.
- Attach the cable gland by pushing it from above into the MJB junction box to secure the cables.



TR3200

Shower Trolley

Hygiene Equipment

Designed for People

Service instructions

TR3200, L - Calibration/Initialization

Use the hand control to calibrate/initialize the lifting columns.

- Press the DOWN button and run the lifting columns to the lowest position.
- When the lifting columns are in the lowest position press the DOWN button again.
- Press the DOWN button once more and two short tones will be heard.

When you hear the two short tones the lifting columns are calibrated/initialized and the shower trolley is ready to be used again.





TR3200

Shower Trolley

Hygiene Equipment

Designed for People

Service instructions

Electrical trouble shooting TR3200, -L, onboard batteries

Problem	Check list
The lifting column doesn't work.	<ul style="list-style-type: none">- Is the emergency stop activated? (Release if necessary)- Is the contact block for the emergency properly fastened?- Check the voltage on both batteries.- Check the connections on the circuit board.- Check the wiring diagram.- Is the Circuit board jumper in Ti-position?- Is the foot control or hand control, OK?- Replace lifting column.
The lifting column only work small steps at a time.	<ul style="list-style-type: none">- Check that the circuit board jumper is in Ti-position.- Check the wiring diagram.- Replace circuit board.- Replace the lifting column.
There's a beep coming from the shower trolley.	<ul style="list-style-type: none">- If the beep is a long and short beep the batteries must be charged.- If the beep is one long and two short the lifting column needs to be calibrated. (See table of contents in the Operating manual)
It's not possible to charge the batteries. (The LED light on the battery charger turns Green immediately when I connect the battery charger.)	<ul style="list-style-type: none">- Check if the emergency stop is activated. (Release if necessary.)- Is the contact block for the emergency stop properly fastened?- One or both batteries probably have too low voltage. Check the voltage and replace if necessary.- Replace circuit board.



TR3200

Shower Trolley

Hygiene Equipment

Designed for People

Service instructions

Electrical trouble shooting TR3200-R, -LR, removable battery

Problem	Check list
The lifting column doesn't work.	<ul style="list-style-type: none">- Is the battery ON? (Press the ON button)- Is the battery charged? (charge the battery for at least 8 hours).- Is the emergency stop activated? (Release if necessary)- Is the contact block for the emergency properly fastened?- Check the connections on the circuit board.- Check the wiring diagram.- Is the Circuit board jumper in Ti-position?- Is the foot control or hand control, OK?- Replace lifting column.
The lifting column only work small steps at a time.	<ul style="list-style-type: none">- Check that the circuit board jumper is in Ti-position.- Check the wiring diagram.- Replace circuit board.- Replace the lifting column.
There's a beep coming from the shower trolley.	<ul style="list-style-type: none">- If the beep comes from the battery and the battery has an orange light, the battery must be charged.- If the beep is one long and two short the lifting column needs to be calibrated. (See table of contents in the Operating manual)
It's not possible to charge the battery.	<ul style="list-style-type: none">- Replace the battery.



TR3200

Hygiene Equipment

Shower Trolley

Designed for People

Service instructions, routine maintenance

Monthly maintenance:

- Make sure that screws and fastenings are tightened. It's important that all screws and fastenings are checked and tightened if needed, including those not easily visible.
- Make sure that all castors are tightened. When replacing castors use only castors and fasteners supplied by TR Equipment.
- Inspect all castors to ensure they are cleaned and make sure brakes and straight steering are fully functioning.
- Make sure that raise and lowering function works properly the entire lift range.
- Make sure the tilting functions works properly.

Annual maintenance:

It's recommended to consult an authorized service/maintenance technician to perform a full inspection of the shower trolley annually.

- Thorough inspection of before every use, daily, weekly and monthly maintenance instructions. See check list on page 24-26
- Make sure that the mattress and pillow are in good condition.
- Replace drainages, drain plugs and drainage hose.
- The shower trolley should immediately taken out of operation if defects or irregularities are noted.
Prompt service is required.

Maintenance every 5 year:

- Replace both lifting columns and control box.
- Replace castors.



TR3200

Shower Trolley

Hygiene Equipment

Designed for People

Service instructions, routine maintenance

Check list annual maintenance

Chassis Is the shower trolley properly cleaned and dried? Yes <input type="checkbox"/> No <input type="checkbox"/>	Comment:	Action:
Chassis Are screws and fasteners tightened? Yes <input type="checkbox"/> No <input type="checkbox"/>	Comment:	Comment:
Chassis Any signs of wear or damages? Yes <input type="checkbox"/> No <input type="checkbox"/>	Comment:	Comment:
Mattress and pillow Are mattress and pillow cleaned properly and in good condition? Yes <input type="checkbox"/> No <input type="checkbox"/>	Comment:	Comment:
Side rails Is it possible to raise and lower the side rails? Yes <input type="checkbox"/> No <input type="checkbox"/>	Comment:	Comment:
Drainage Replace drainage, drainage hose and drainage plugs. Yes <input type="checkbox"/> No <input type="checkbox"/>	Comment:	Comment:



TR3200

Shower Trolley

Hygiene Equipment

Designed for People

Service instructions, routine maintenance

Check list annual maintenance

<p>Lifting columns Is it possible to raise and lower the lifting columns the entire lift range? (Use the hand control)</p> <p>Yes <input type="checkbox"/> No <input type="checkbox"/></p>	<p>Comment:</p>	<p>Action:</p>
<p>Lifting columns Is it possible to tilt the stretcher? (Use the hand control)</p> <p>Yes <input type="checkbox"/> No <input type="checkbox"/></p>	<p>Comment:</p>	<p>Comment:</p>
<p>Lifting columns Calibrate/Initialize the lifting columns. See instruction on page 20.</p> <p>Yes <input type="checkbox"/> No <input type="checkbox"/></p>	<p>Comment:</p>	<p>Comment:</p>
<p>Castors Are the castors cleaned and fully functioning?</p> <p>Yes <input type="checkbox"/> No <input type="checkbox"/></p>	<p>Comment:</p>	<p>Comment:</p>
<p>Castors Are brakes and straight steering functioning properly?</p> <p>Yes <input type="checkbox"/> No <input type="checkbox"/></p>	<p>Comment:</p>	<p>Comment:</p>
<p>Castors Are the castors properly fastened?</p> <p>Yes <input type="checkbox"/> No <input type="checkbox"/></p>	<p>Comment:</p>	<p>Comment:</p>



TR3200

Shower Trolley

Hygiene Equipment

Designed for People

Service instructions, routine maintenance

Check list every 5 years maintenance

Lifting columns Replace lifting columns. Yes <input type="checkbox"/> No <input type="checkbox"/>	Comment:	Action:
Castors Replace castors. Yes <input type="checkbox"/> No <input type="checkbox"/>	Comment:	Comment:
Shower trolley approved and OK to use? Yes <input type="checkbox"/> No <input type="checkbox"/>	Comment:	Comment:

Note:

The shower trolley should be immediately taken out of operation if defects or irregularities are noted. Prompt service is required! Contact your TR Equipment representative.

Order or download a new Service and maintenance manual after annual maintenance!

Company / Person

Serial number

Maintenance date

Signature



TR3200

Hygiene Equipment

Shower Trolley

Designed for People

Cleaning instructions

Note:

The user/operator is responsible selecting the correct cleaning liquid/detergent and additives according to local regulations and safety standards. Please read the cleaning liquid/detergent supplier's instruction manual and find out whether the product is suitable for use with the product.

General cleaning recommendations for mattress, pillow and plastic plate:

- Select cleaning interval according to the degree of contamination.
- Contaminations should be removed as soon as possible in order to prevent material damage.
- DO NOT use tools which might damage the surface of the mattress and pillow, instead use a towel, sponge or soft brush.
- The mattress, pillow, plastic plate and chassis must be dried when the shower trolley is not in use.

General guidelines for cleaning liquids/detergents:

- No solvent based or strong alkaline cleaning liquids/detergents, use of these products may cause damage.
- Use only nonabrasive types of detergent.
- Less than 5Wt% chloride content.
- Less than 3Wt% alcohol content.

Cleaning process:

- Lightly brush off loose dirt particles first, then rinse material with clear water.
- Spray on the cleaning liquid/detergent in recommended concentration or apply with a clean towel. Dose the amount according to the degree of contamination.
- Allow cleaning liquid/detergent to act for a short while (2-5 minutes) and wipe it off with a towel.
- Rinse off dirt and cleaning liquid/detergent residues thoroughly with cold or lukewarm water to prevent material discolorations.
- When the shower trolley is not in use, all parts on the shower trolley must be properly cleaned and dry.

Note:

After cleaning the lifting columns, dry them before use.

Note:

Pool areas are aggressive environment.



TR3200

Shower Trolley

Hygiene Equipment

Designed for People

Safety instructions

In case of accident

Note:

In case of a serious incident when using the TR3200 shower trolley, this should be reported to the manufacturer and to the local authorities where you are established.



TR Equipment AB
Rundelgatan 2
SE-573 35 Tranås
Sweden

www.trequipment.com

info@trequipment.se

Phone: +46 (0)140 38 50 60

Group subsidiaries:

USA

TR Group Inc.

Phone: +1 (800) 7526900

www.trequipment.com

information@trequipment.com

TranspoRehamed GmbH

Phone: +49 (0) 212-645850-0

www.transporehamed.de

info@transporehamed.de

